

MASON

DEV. DECO
SCALE 1:1

1-PT

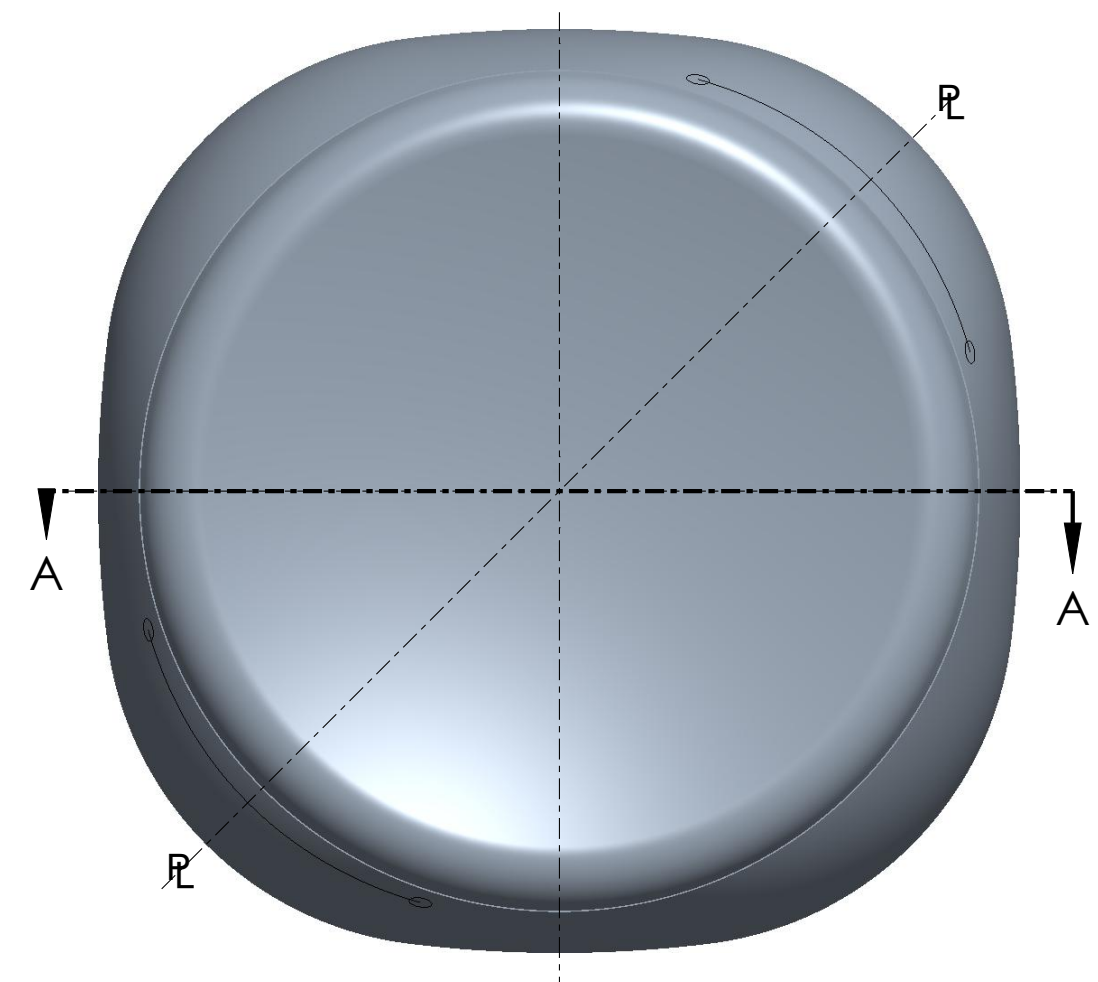
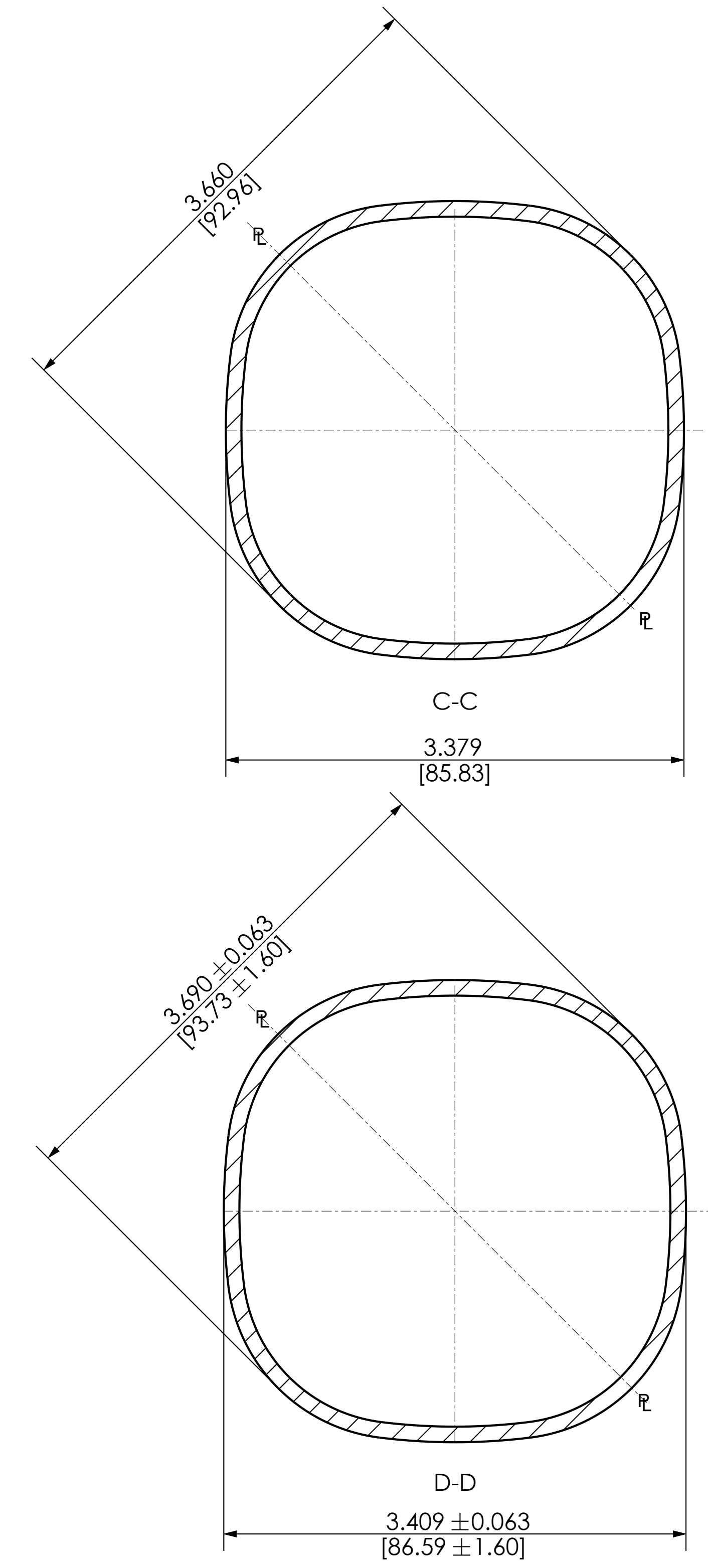
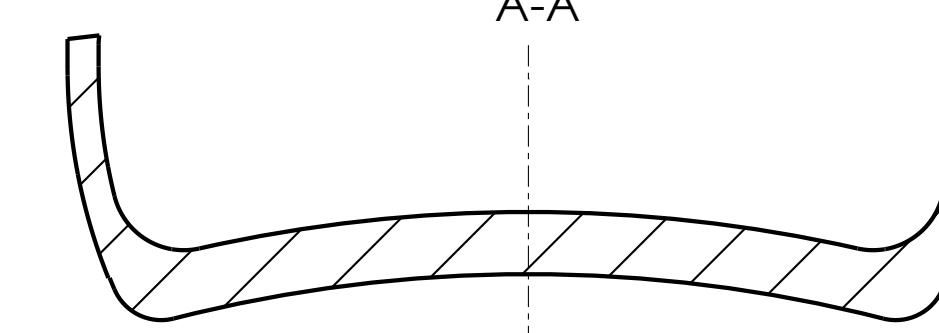
3/4

1/2

0.681
[17.30]
DEV.

DEV. DECO
SCALE 1:1

A-A



DISCLAIMER

THIS INFORMATION IS PROVIDED AS A GENERAL GUIDE, INCLUDING DIMENSIONS. IT IS THE CUSTOMER'S RESPONSIBILITIES TO SELECT THE PROPER CONTAINER FOR PRODUCT AND APPLICATION COMPATIBILITY.

DISTRIBUTED BY:



REF NO.:

DWG31357

DESCRIPTION:

25.5 oz Flint Glass Mason Jar with Graduation Lines,
70-450 Finish