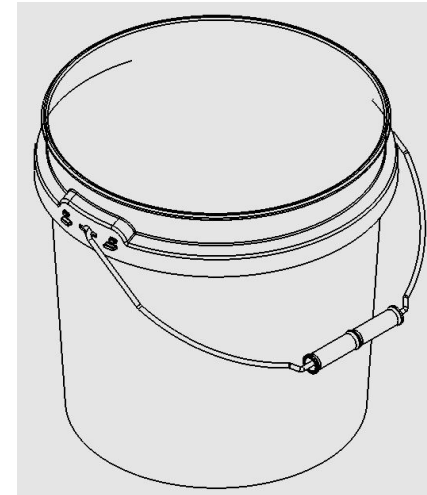


## Pail Specification

Origin of Materials	100% US Manufactured
Material	High Density Polyethylene (HDPE)
Bail	Plastic or Metal
Weight	2.21 lbs. / 1004 g
Exterior Height	14 1/4" With Cover 14 5/8"
Min. Wall Thickness	0.090"
Outside Diameter - Top	11 7/8"
Outside Diameter - Bottom	10 3/8"
Color	Various Colors are available
Shipping Quantity	120 Units per Pallet 6,720 Units per Truckload
Print Area	8 1/2" x 33 1/4"
Top Load Rating	450 lbs

## Product Data

Traditional M2  
5.0 Gallon



### DISCLAIMER

THIS INFORMATION IS PROVIDED AS A GENERAL GUIDE, INCLUDING DIMENSIONS. IT IS THE CUSTOMER'S RESPONSIBILITIES TO SELECT THE PROPER CONTAINER FOR PRODUCT AND APPLICATION COMPATIBILITY.

DISTRIBUTED BY:

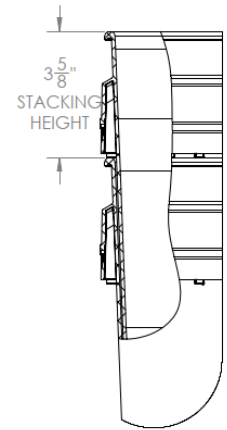
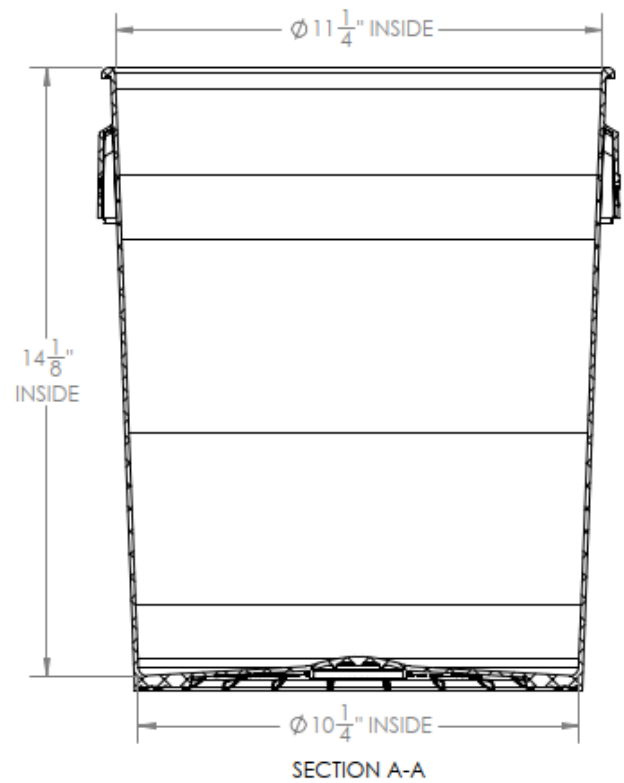
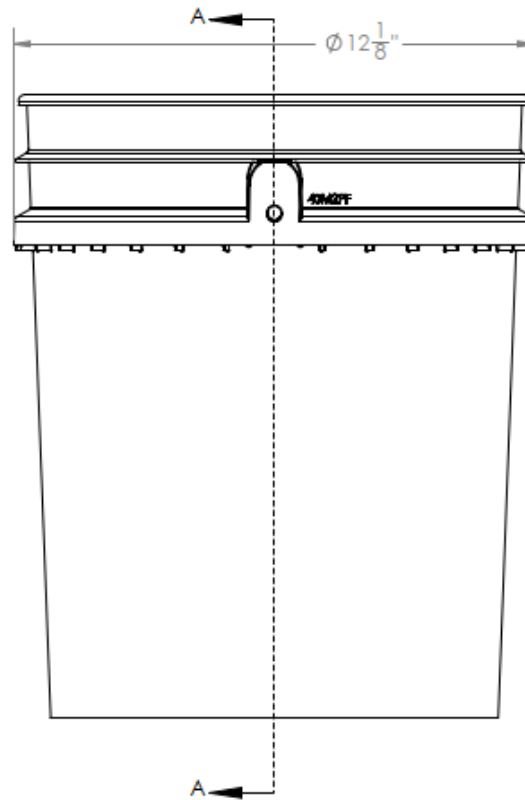
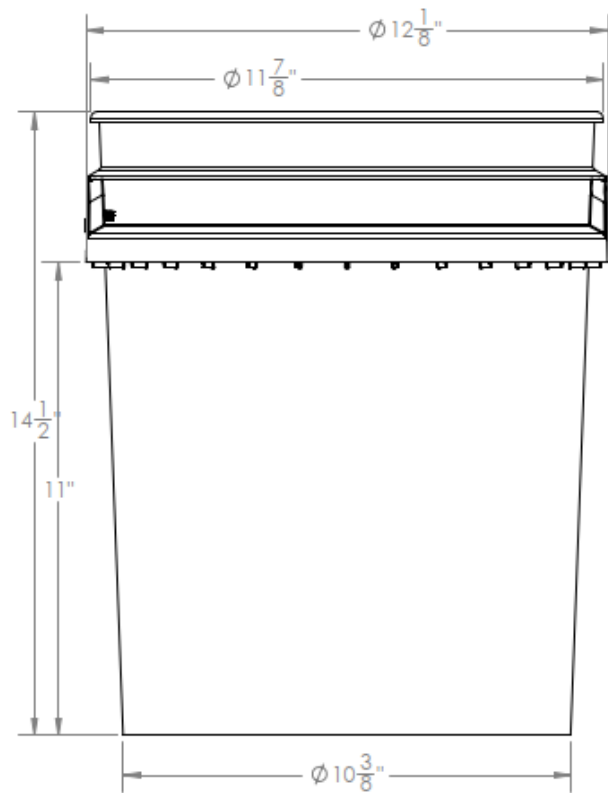


REF NO.:

DWG 31402

DESCRIPTION:

5 Gallon HDPE OH Pail 90 mil (M2)



**DISCLAIMER**

THIS INFORMATION IS PROVIDED AS A GENERAL GUIDE, INCLUDING DIMENSIONS. IT IS THE CUSTOMER'S RESPONSIBILITIES TO SELECT THE PROPER CONTAINER FOR PRODUCT AND APPLICATION COMPATIBILITY.

DISTRIBUTED BY:



REF NO.:

DWG 31402

DESCRIPTION:

5 Gallon HDPE OH Pail 90 mil (M2)