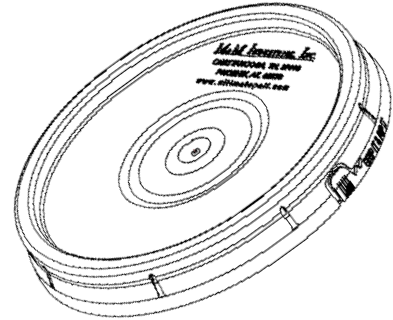


UN Certification:  1H2/Y27/S

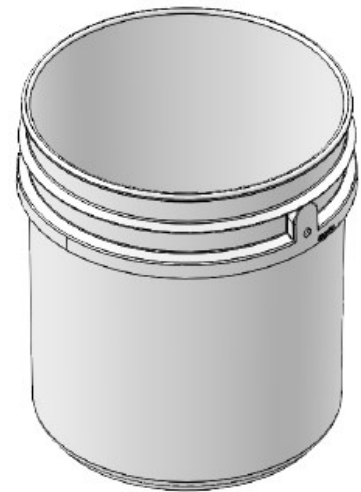
Cover Specification

Origin of Materials	100% US Manufactured
Material	High Density Polyethylene (HDPE)
Weight	5/8 lbs. / 299 g
Height	1 3/8"
Min Wall Thickness	0.09"
Top Outside Diameter	12 1/8"
Gasket	EPDM Tubular
Fitments	<i>Please inquire about custom fittings</i>
Standard Color	White <i>Please inquire about custom colors</i>
Shipping Quantity	N/A



Pail Specification

Origin of Materials	100% US Manufactured
Material	High Density Polyethylene (HDPE)
Handles	Metal or Plastic
Weight	2lbs./ 935 g
Exterior Height	13 1/2" With Cover 13 7/8"
Min. Wall Thickness	0.09"
Outside Diameter - Top	11 7/8"
Outside Diameter - Bottom	11 1/8"
Standard Color	White <i>Please inquire about custom colors</i>
Shipping Quantity	36 Units per Pallet 2.376 Units per Truck
Print Area	8 1/2" x 33 1/4"
Top Load Rating	450 lbs



DISTRIBUTED BY:



REF NO.:

DWG31113

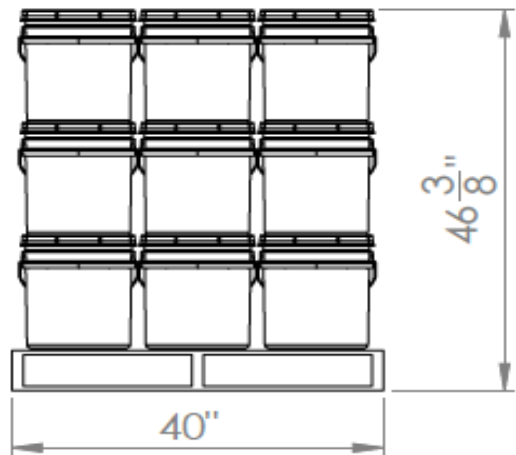
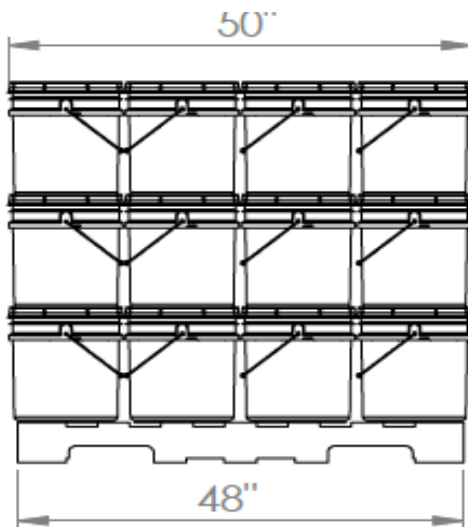
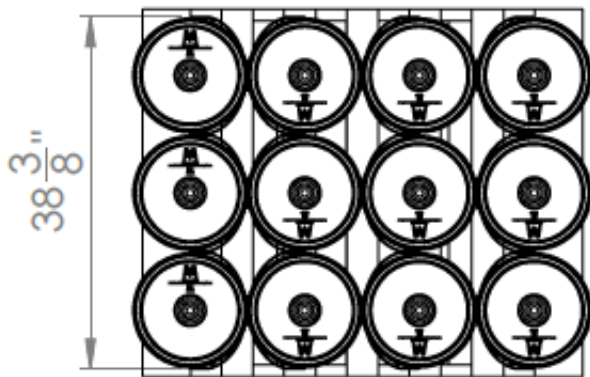
DISCLAIMER
THIS INFORMATION IS PROVIDED AS A GENERAL GUIDE, INCLUDING DIMENSIONS. IT IS THE CUSTOMER'S RESPONSIBILITIES TO SELECT THE PROPER CONTAINER FOR PRODUCT AND APPLICATION COMPATIBILITY.

DESCRIPTION:

5 Gallon White HDPE SS Pail with Tear-Tab Cover
EPDM Gasket

Pack Specifications For Pail

- 36 Units
- 12 Stacks x 3 High
- 3 layers per pallet
- Pail Material is HDPE
- Lid Material is HDPE



DISCLAIMER

THIS INFORMATION IS PROVIDED AS A GENERAL GUIDE, INCLUDING DIMENSIONS. IT IS THE CUSTOMER'S RESPONSIBILITIES TO SELECT THE PROPER CONTAINER FOR PRODUCT AND APPLICATION COMPATIBILITY.

DISTRIBUTED BY:



REF NO.:

DWG31113

DESCRIPTION:

5 Gallon White HDPE SS Pail with Tear-Tab Cover
EPDM Gasket