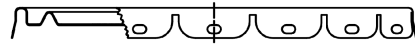
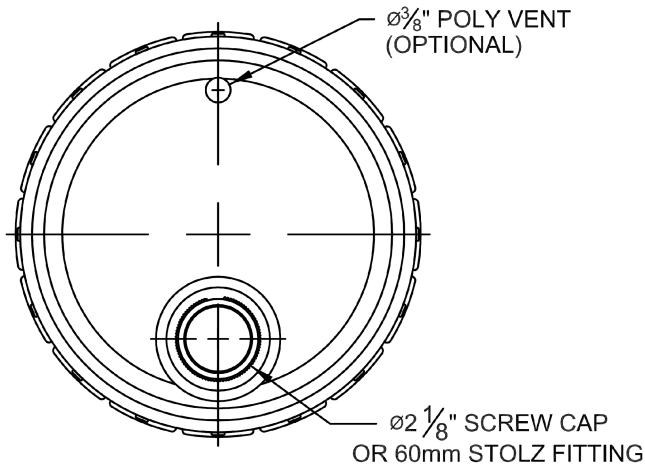
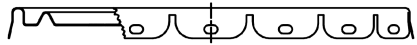
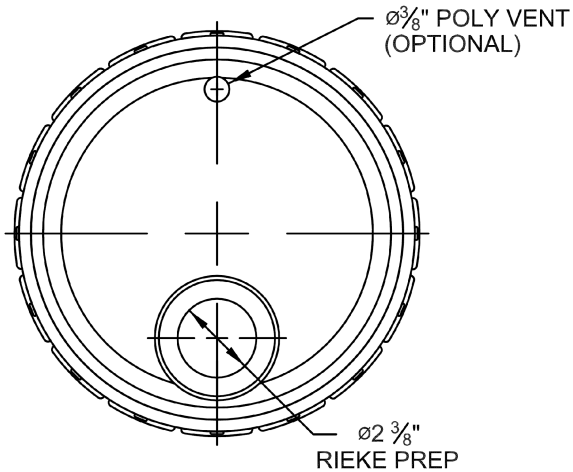


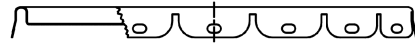
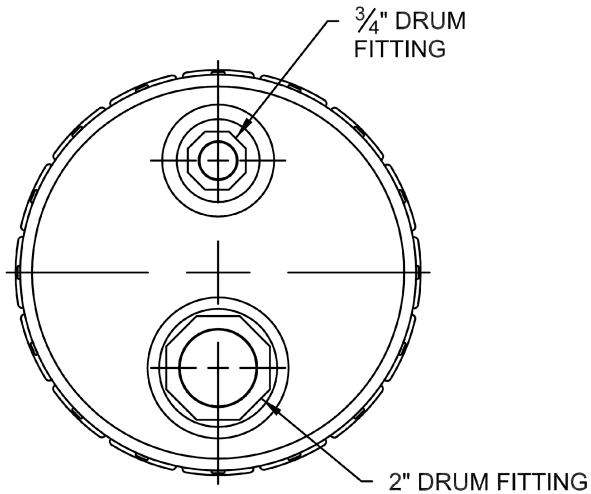
**Hi-Perform Cover**



**Screw Cap & Stolz Fitting:**



**Rieke Prep:**



**Drum Fittings:**

**COVER GASKETS AVAILABLE**

Flow - in Gasket

G1 - EPDM Tubular Gasket

G2 - Neoprene Tubular Gasket - White

G3 - Neoprene Tubular Gasket - Black

G3Q - Neoprene Tubular Gasket

G6 - SBR Tubular Gasket - Black (small dia)

**NOTES:**

1. Fits all Steel pails 2.5 gallon to 7.0 gallon.

\*AVAILABLE IN MULTIPLE COLOR AND LINING OPTIONS

**DISCLAIMER**

THIS INFORMATION IS PROVIDED AS A GENERAL GUIDE, INCLUDING DIMENSIONS. IT IS THE CUSTOMER'S RESPONSIBILITIES TO SELECT THE PROPER CONTAINER FOR PRODUCT AND APPLICATION COMPATIBILITY.

DISTRIBUTED BY:



REF NO.:

DWG10005

DESCRIPTION:

Hi-Perform Lug Cover (UN Regulated)