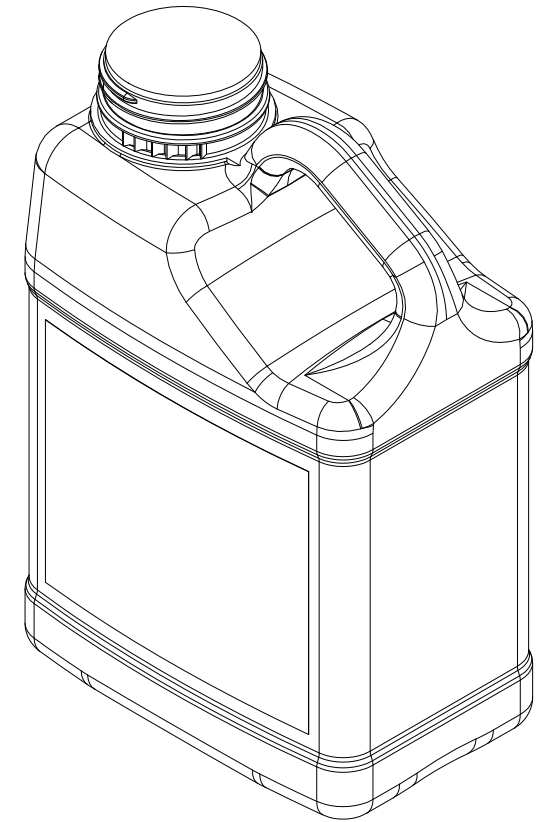
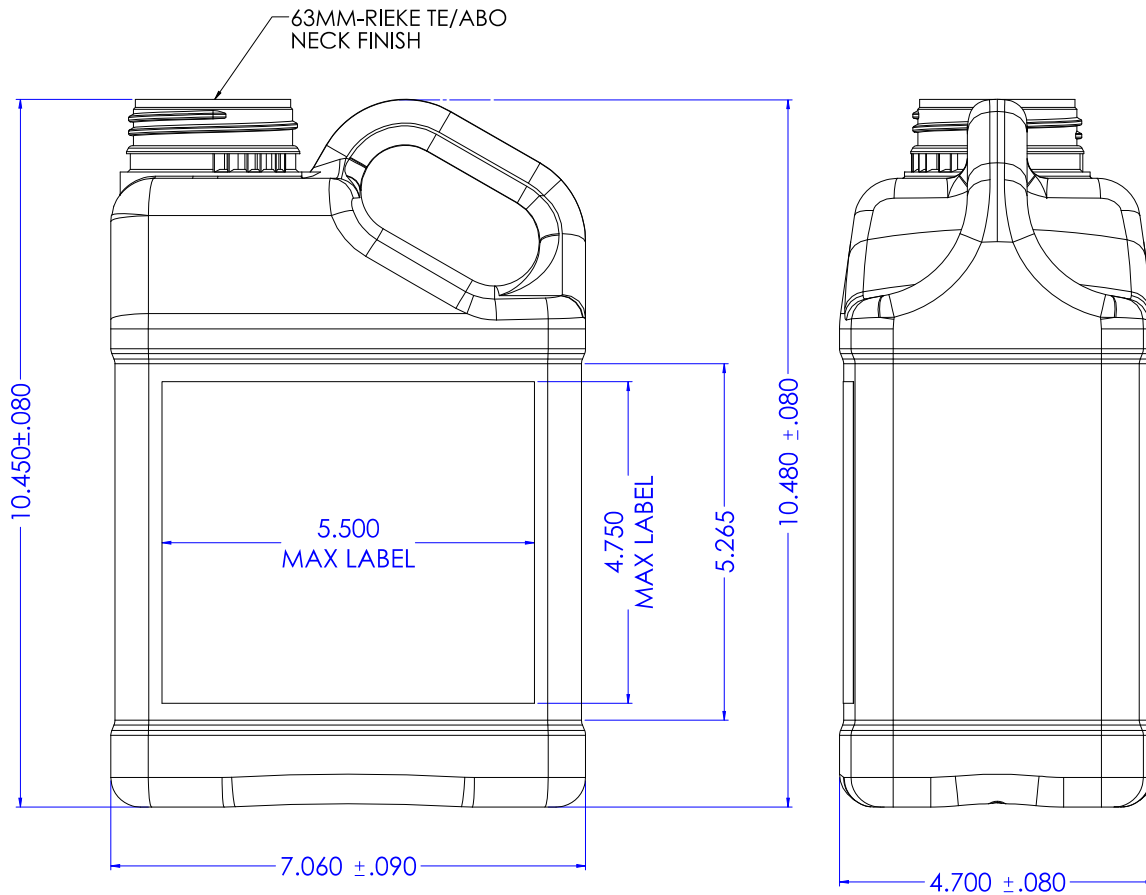


63MM-RIEKE TE/ABO + CR NECK FINISH
 RIEKE DRAWING #18001520 -
 DETAIL #M0768-002-A

"T" - 2.495 ±.020
 "E" - 2.350 ±.020
 "S" - 0.165 ±.015
 "H" - 1.070 ±.015
 BEAD ϕ = 2.560 ±.020
 RATCHET ϕ = 2.500 ±.020



NOTES:
 1. OVERFLOW CAPACITY = 146 FL/OZ
 2. MATERIAL = H.D.P.E.



DISCLAIMER

THIS INFORMATION IS PROVIDED AS A GENERAL GUIDE, INCLUDING DIMENSIONS. IT IS THE CUSTOMER'S RESPONSIBILITIES TO SELECT THE PROPER CONTAINER FOR PRODUCT AND APPLICATION COMPATIBILITY.

DISTRIBUTED BY:



REF NO.:

DWG 31281

DESCRIPTION:

4 Liter Natural HDPE F-Style, Slant Handle, 63 mm neck,
 180 Gram, Fluorination Lvl 5