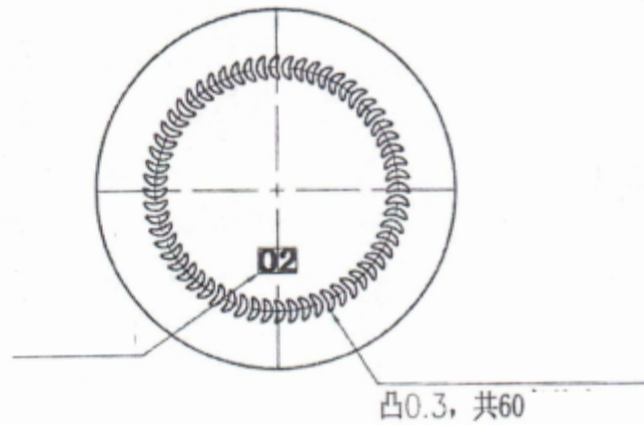


A--A 4:1



SPECIFICATIONS	
WEIGHT	166 $\pm$ 10g
BRIMFUL CAPACITY	242.5 $\pm$ 6 ml

DISTRIBUTED BY:



REF NO.:

DWG31014

DESCRIPTION:

8 oz Flint Jelly Jar, 70-405

DISCLAIMER

THIS INFORMATION IS PROVIDED AS A GENERAL GUIDE, INCLUDING DIMENSIONS. IT IS THE CUSTOMER'S RESPONSIBILITIES TO SELECT THE PROPER CONTAINER FOR PRODUCT AND APPLICATION COMPATIBILITY.