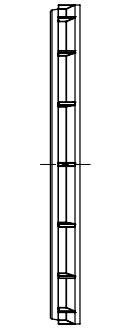
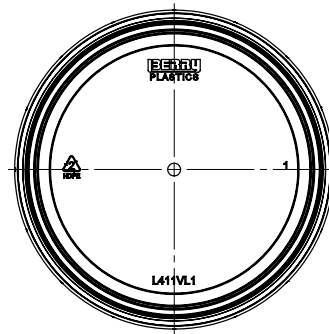


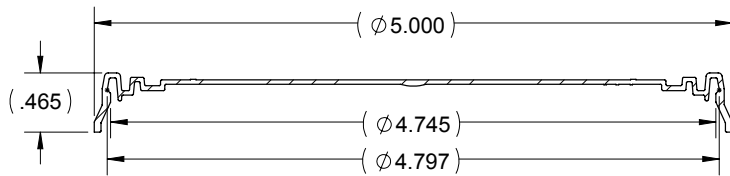
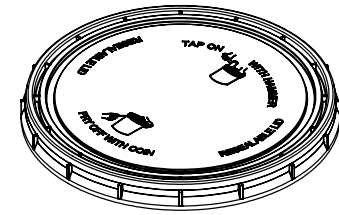
TOP VIEW



SIDE VIEW

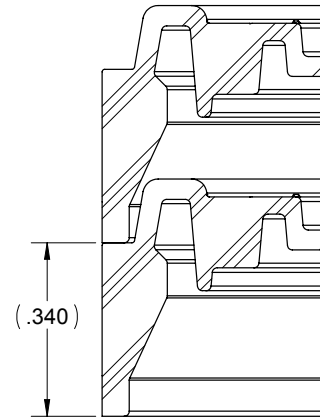


BOTTOM VIEW



SECTION A-A  
SCALE 1 : 1

NESTING VIEW



PART SPECIFICATIONS	
RESIN FAMILY	HDPE
ACTUAL WEIGHT ±X.X (GRAMS)	18.3

### Specifications

Lid Code: 411  
 Mold Type: Injection  
 Diameter: 5.06 in  
 Case Count: 500  
 Case Weight: 21 lb  
 Cases/Pallet: 18

### DISCLAIMER

THIS INFORMATION IS PROVIDED AS A GENERAL GUIDE, INCLUDING DIMENSIONS. IT IS THE CUSTOMER'S RESPONSIBILITIES TO SELECT THE PROPER CONTAINER FOR PRODUCT AND APPLICATION COMPATIBILITY.

DISTRIBUTED BY:



REF NO.:

DWG31383

DESCRIPTION:

32 oz Natural HDPE Vapor Lok Cover