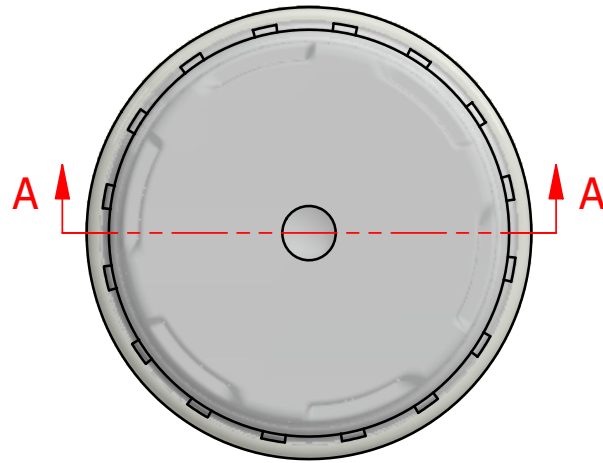


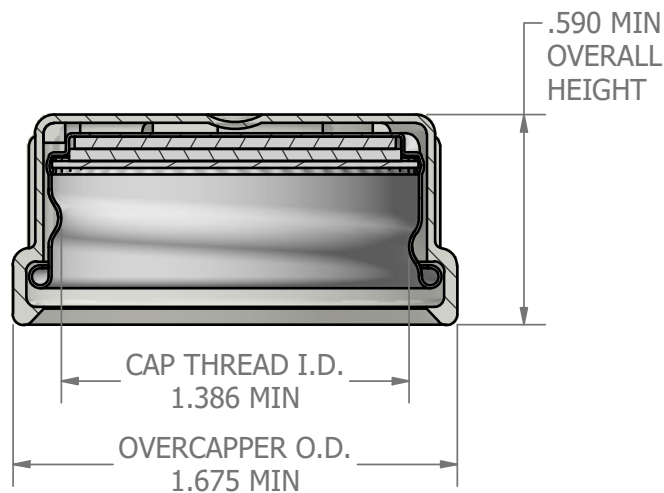
NOTES:

1) METAL CAPS ARE PRODUCED ACCORDING TO CMA STANDARDS AND ARE SUITABLE FOR GLASS FINISH GPI 38-400

2) DIMENSION OF THREAD INTERNAL DIAMETER TAKEN WITH A PLUG GAGE



ASSEMBLED TOP



SECTION A-A

**DISCLAIMER**

THIS INFORMATION IS PROVIDED AS A GENERAL GUIDE, INCLUDING DIMENSIONS. IT IS THE CUSTOMER'S RESPONSIBILITIES TO SELECT THE PROPER CONTAINER FOR PRODUCT AND APPLICATION COMPATIBILITY.

DISTRIBUTED BY:



REF NO.:

DWG30841

DESCRIPTION:

38 mm White Metal Child Resistant Cap w/ Pulp & Poly Liner