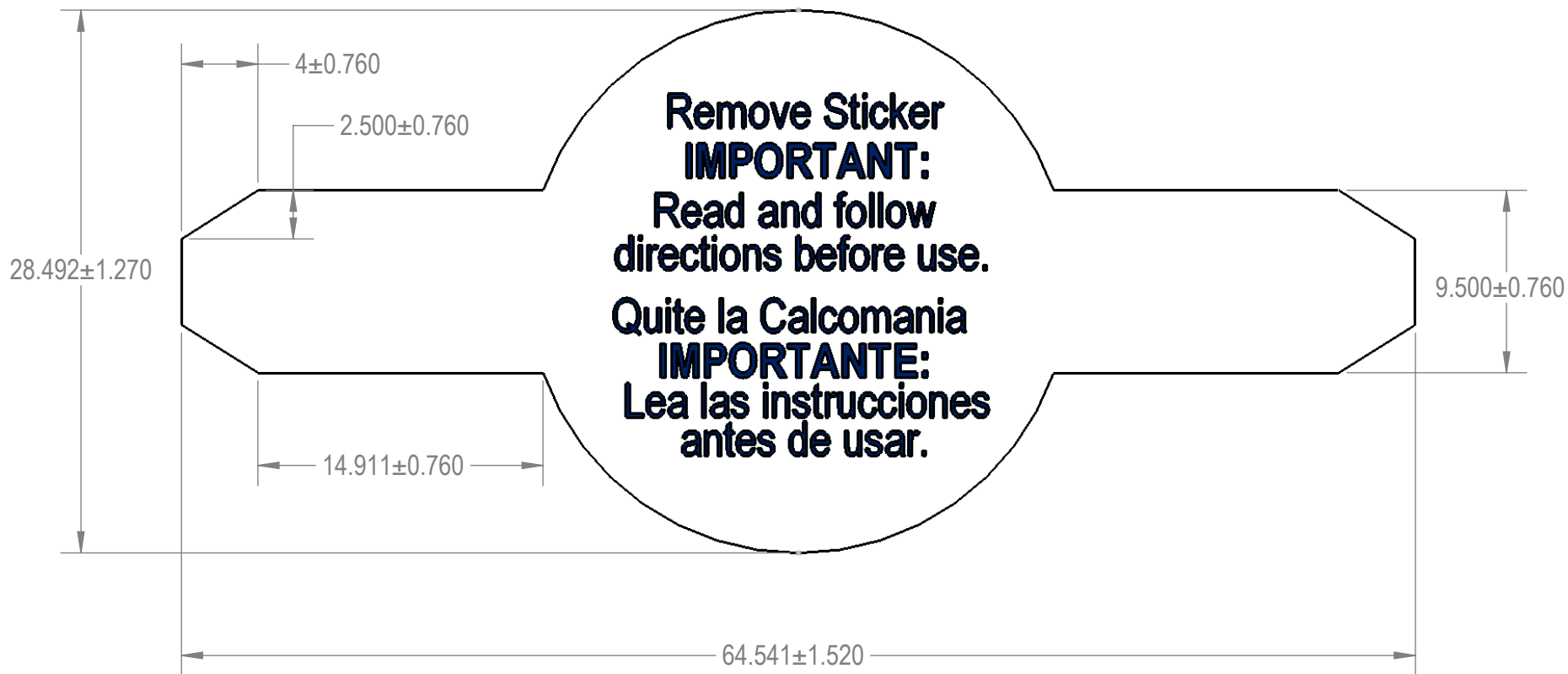


DISCLAIMER
 THIS INFORMATION IS PROVIDED AS A GENERAL GUIDE, INCLUDING DIMENSIONS. IT IS THE CUSTOMER'S RESPONSIBILITIES TO SELECT THE PROPER CONTAINER FOR PRODUCT AND APPLICATION COMPATIBILITY.

DISTRIBUTED BY:  Pipeline Packaging


REF NO.:
 DWG30840

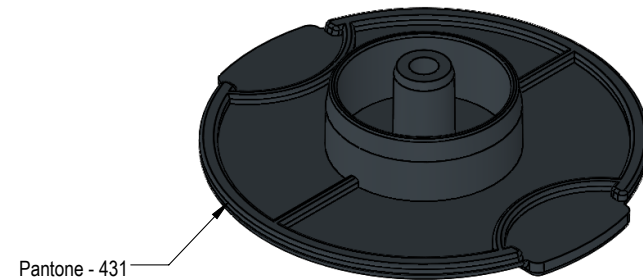
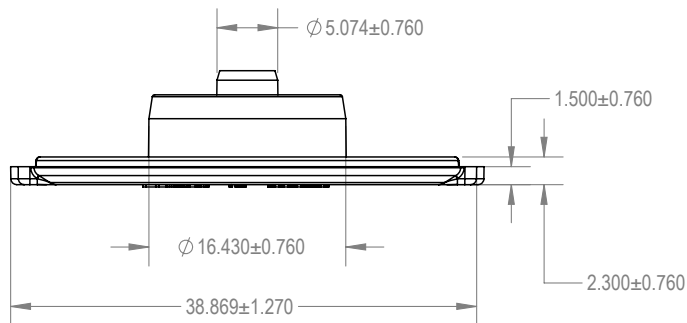
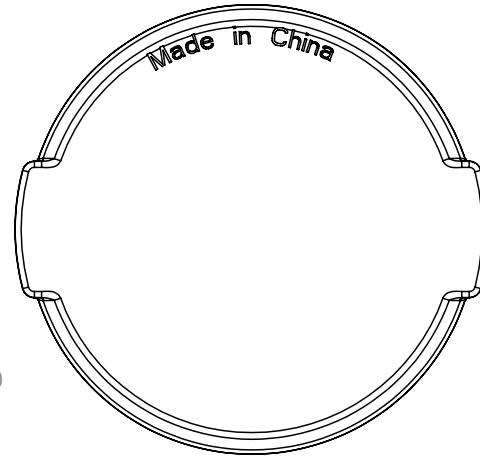
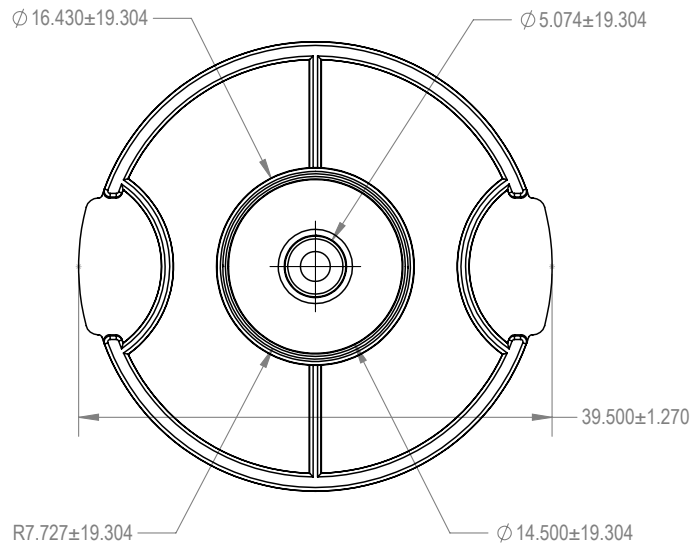
DESCRIPTION:
 38-400 Gray PP Snap Adapt, Ribbed Side Cap with sticker and Dip Tube



NOTES:

- 1.) Material thickness - 0.1mm
- 2.) Layers - Synthetic Paper + Adhesive Sticker
- 3.) Font Color - Pantone 286

<p>DISCLAIMER</p> <p>THIS INFORMATION IS PROVIDED AS A GENERAL GUIDE, INCLUDING DIMENSIONS. IT IS THE CUSTOMER'S RESPONSIBILITIES TO SELECT THE PROPER CONTAINER FOR PRODUCT AND APPLICATION COMPATIBILITY.</p>	<p>DISTRIBUTED BY:</p> 	<p>REF NO.:</p> <p>DWG30840</p>
	<p>DESCRIPTION:</p> <p>38-400 Gray PP Snap Adapt, Ribbed Side Cap with sticker and Dip Tube</p>	



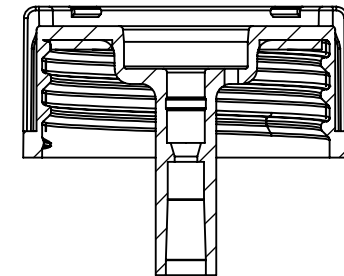
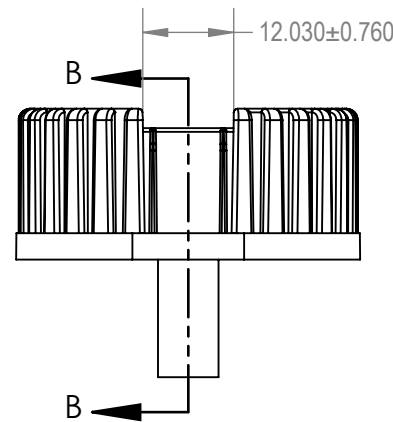
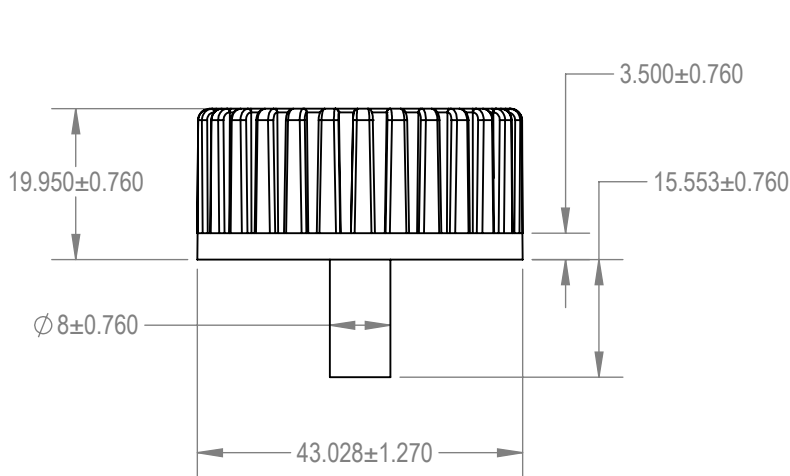
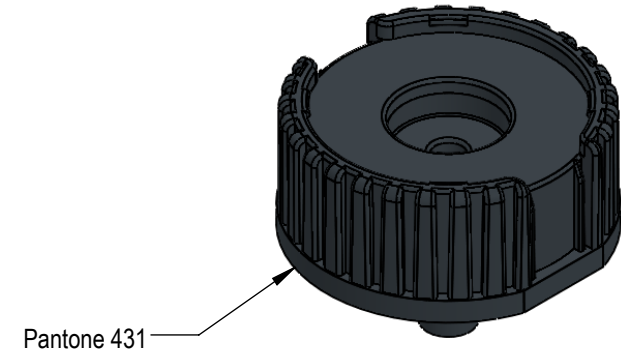
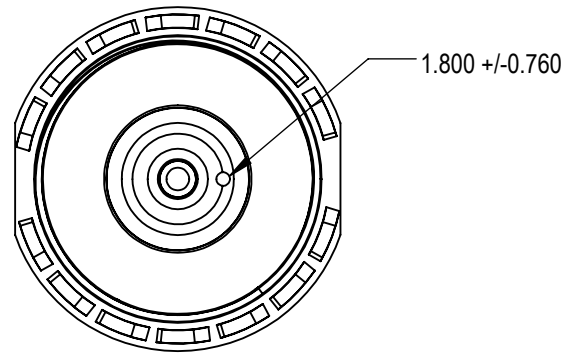
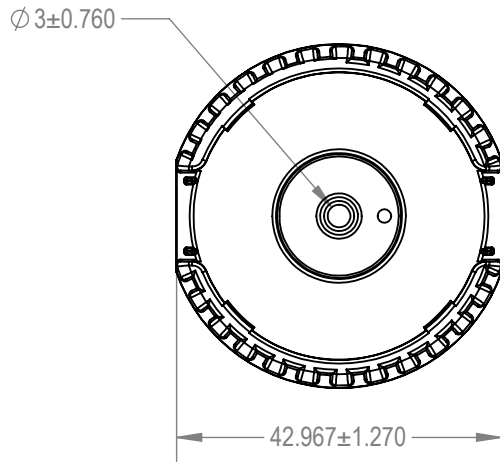
DISCLAIMER

THIS INFORMATION IS PROVIDED AS A GENERAL GUIDE, INCLUDING DIMENSIONS. IT IS THE CUSTOMER'S RESPONSIBILITIES TO SELECT THE PROPER CONTAINER FOR PRODUCT AND APPLICATION COMPATIBILITY.

DISTRIBUTED BY:  Pipeline Packaging

REF NO.:
DWG30840

DESCRIPTION:
38-400 Gray PP Snap Adapt, Ribbed Side Cap with sticker and Dip Tube



SECTION B-B

NOTES:

1. 'M' STYLE THREAD
2. 3 FULL TURNS OF THREAD
3. APPLICATION TORQUE VALUE OF 20-25 IN/LBS

DISCLAIMER

THIS INFORMATION IS PROVIDED AS A GENERAL GUIDE, INCLUDING DIMENSIONS. IT IS THE CUSTOMER'S RESPONSIBILITIES TO SELECT THE PROPER CONTAINER FOR PRODUCT AND APPLICATION COMPATIBILITY.

DISTRIBUTED BY:

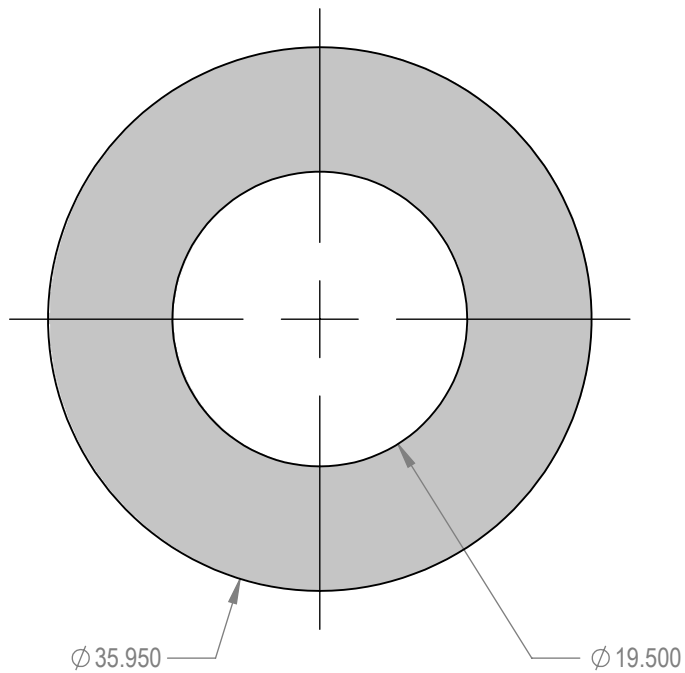


REF NO.:

DWG30840


DESCRIPTION:

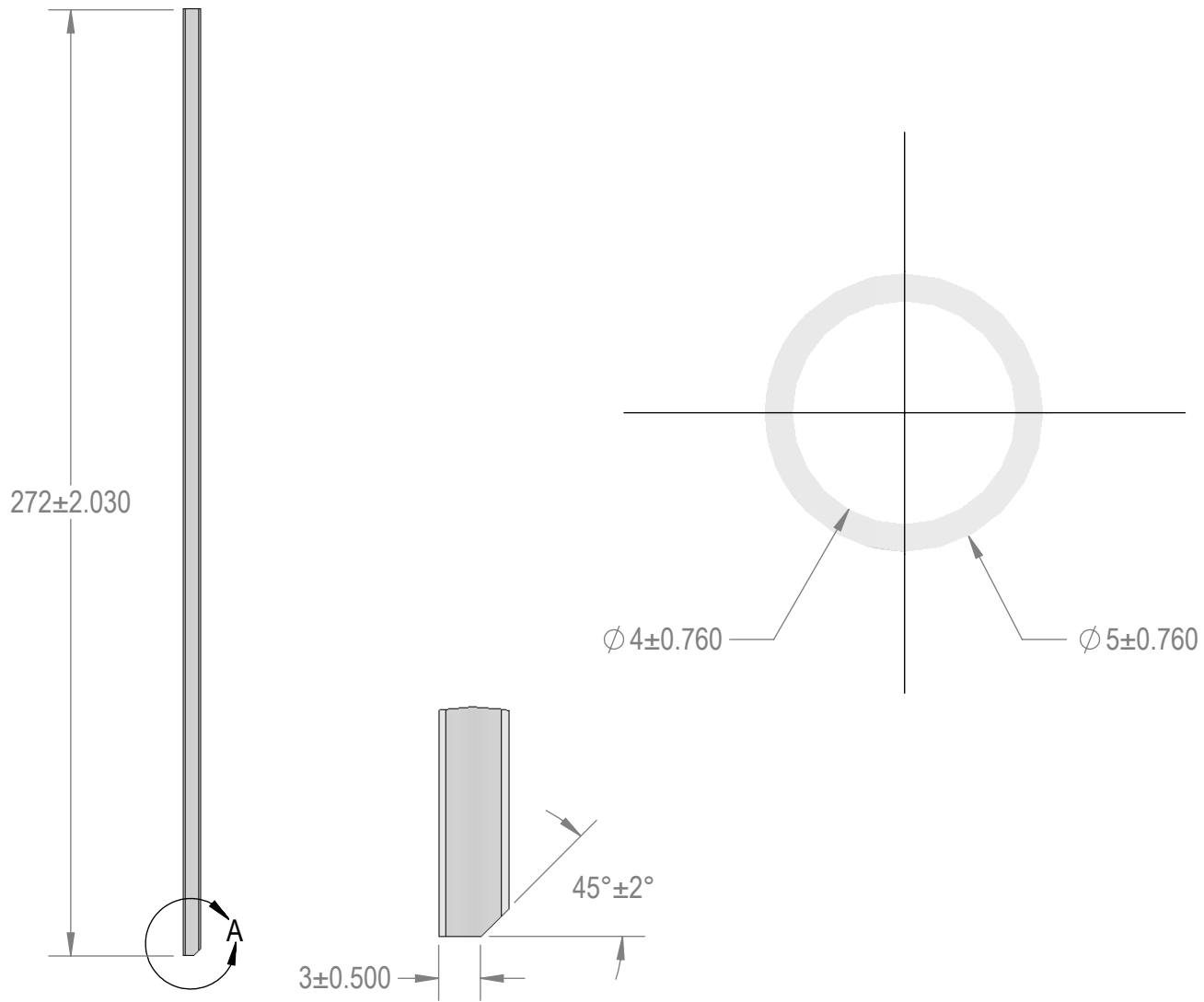
38-400 Gray PP Snap Adapt, Ribbed Side Cap with sticker and Dip Tube




NOTES:

1. NO ADHESIVE
2. FOAM DENSITY - 57.43 lbs/ft³

<p style="text-align: center;">DISCLAIMER</p> <p>THIS INFORMATION IS PROVIDED AS A GENERAL GUIDE, INCLUDING DIMENSIONS. IT IS THE CUSTOMER'S RESPONSIBILITIES TO SELECT THE PROPER CONTAINER FOR PRODUCT AND APPLICATION COMPATIBILITY.</p>	<p>DISTRIBUTED BY:  Pipeline Packaging</p>	<p>REF NO.: DWG30840</p>
	<p>DESCRIPTION: 38-400 Gray PP Snap Adapt, Ribbed Side Cap with sticker and Dip Tube</p>	



DETAIL A
SCALE 2 : 1

<p align="center">DISCLAIMER</p> <p>THIS INFORMATION IS PROVIDED AS A GENERAL GUIDE, INCLUDING DIMENSIONS. IT IS THE CUSTOMER'S RESPONSIBILITIES TO SELECT THE PROPER CONTAINER FOR PRODUCT AND APPLICATION COMPATIBILITY.</p>	<p>DISTRIBUTED BY:  Pipeline Packaging™</p>	<p>REF NO.: DWG30840</p>
	<p>DESCRIPTION: 38-400 Gray PP Snap Adapt, Ribbed Side Cap with sticker and Dip Tube</p>	