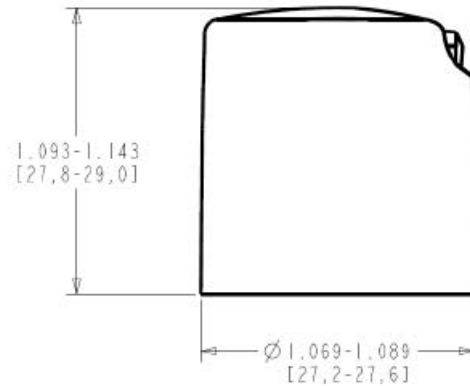


RECOMMENDED NECK FINISH  
 LAND MUST BE SMOOTH AND FREE  
 OF GOUGES OR RAGGED EDGES  
 8 T.P.I "M" STYLE THREAD  
 USE OF BEAD IS OPTIONAL  
 TWO THREAD TURNS STANDARD  
 THREE THREAD TURNS RECOMMENDED  
 SCALE 2

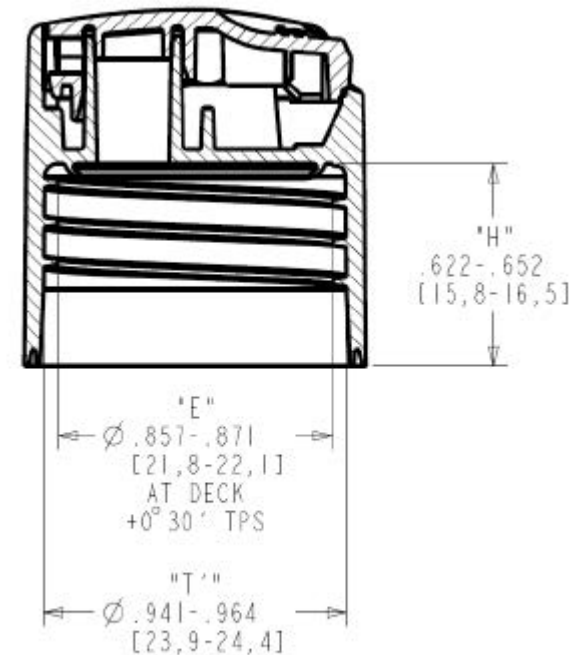
NOTES:

1. THE "T" & "E" DIAMETERS ARE THE AVERAGE OF 2 MEASUREMENTS TAKEN APPROXIMATELY 90° APART.
2. THE "T" DIAMETER IS TAKEN TOWARD THE BOTTOM OF THE CLOSURE JUST BELOW THE START OF FULL THREAD.
3. THE "E" DIAMETER IS TAKEN AS CLOSE TO THE INSIDE DECK AS POSSIBLE.
4. THE EFFECTIVE "H" DIMENSION CAN BE ESTIMATED BY SUBTRACTING .028" FROM THE SPECIFIED "H" DIMENSION. THIS REFLECTS THE ESTIMATED COMPRESSION OF THE SEALING MECHANISM AT NOMINAL APPLICATION TORQUE.



NOMINAL ORIFICE SIZES AVAILABLE

- .110 X .310 [2,8 X 7,9]
- .110 X .166 [2,8 X 4,2]



SECTION A-A

DISCLAIMER

THIS INFORMATION IS PROVIDED AS A GENERAL GUIDE, INCLUDING DIMENSIONS. IT IS THE CUSTOMER'S RESPONSIBILITIES TO SELECT THE PROPER CONTAINER FOR PRODUCT AND APPLICATION COMPATIBILITY.

DISTRIBUTED BY:



REF NO.:

DESCRIPTION: