

SECTION A-A



ACTUAL SIZE

NOTES:

1. TORQUE SPEC. TIGHTENING FORCE 12-21 IN-LBS
2. SURFACE FINISH: SPE SPI#3
3. HOLE SIZES AVAILABLE: .030, .055, .090 OR NO HOLE AS SHOWN
4. THREAD SPEC.: BUTRESS FORM 1 1/4 TURNS OF FULL THD

DISCLAIMER

THIS INFORMATION IS PROVIDED AS A GENERAL GUIDE, INCLUDING DIMENSIONS. IT IS THE CUSTOMER'S RESPONSIBILITIES TO SELECT THE PROPER CONTAINER FOR PRODUCT AND APPLICATION COMPATIBILITY.

DISTRIBUTED BY:

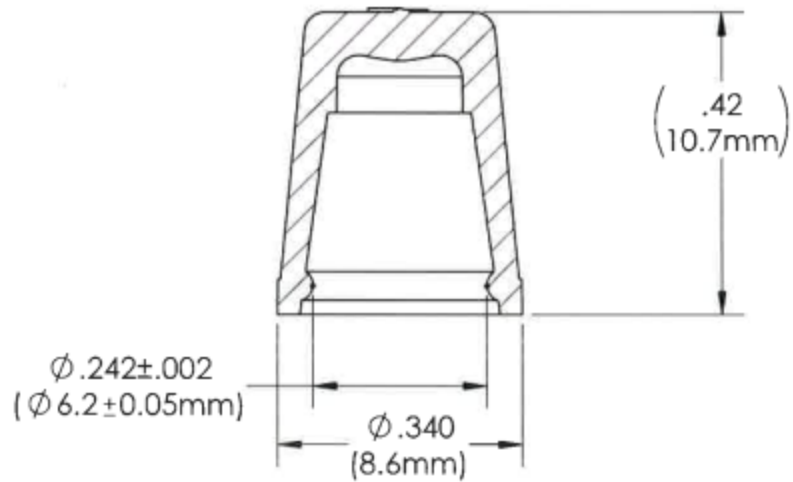
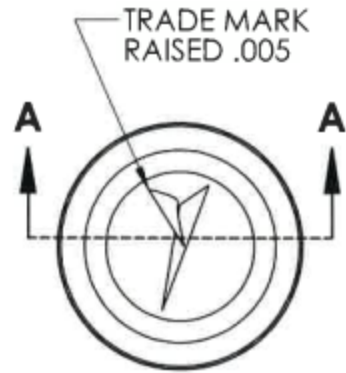


REF NO.:

DWG31105

DESCRIPTION:

28-400 Natural LDPE Spout Cap with Regular Red Tip (No Hole)



SECTION A-A
SCALE 4 : 1



ACTUAL SIZE

NOTES:
1). SURFACE FINISH: SPE SPI#3

DISCLAIMER

THIS INFORMATION IS PROVIDED AS A GENERAL GUIDE, INCLUDING DIMENSIONS. IT IS THE CUSTOMER'S RESPONSIBILITIES TO SELECT THE PROPER CONTAINER FOR PRODUCT AND APPLICATION COMPATIBILITY.

DISTRIBUTED BY:



REF NO.:

DWG31105

DESCRIPTION:

28-400 Natural LDPE Spout Cap with Regular Red Tip (No Hole)