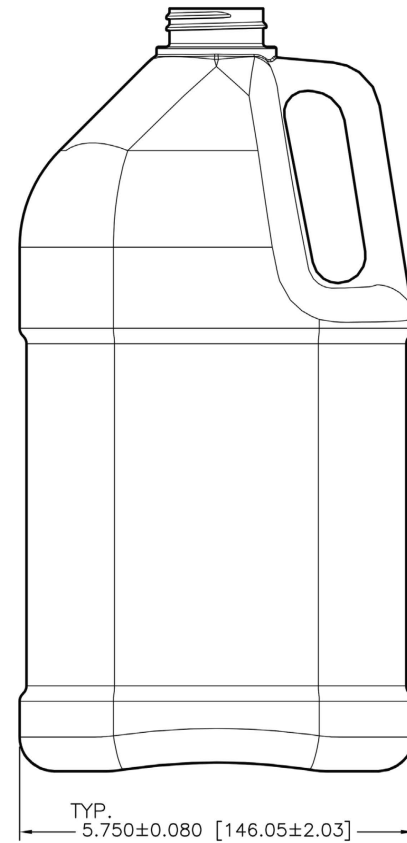
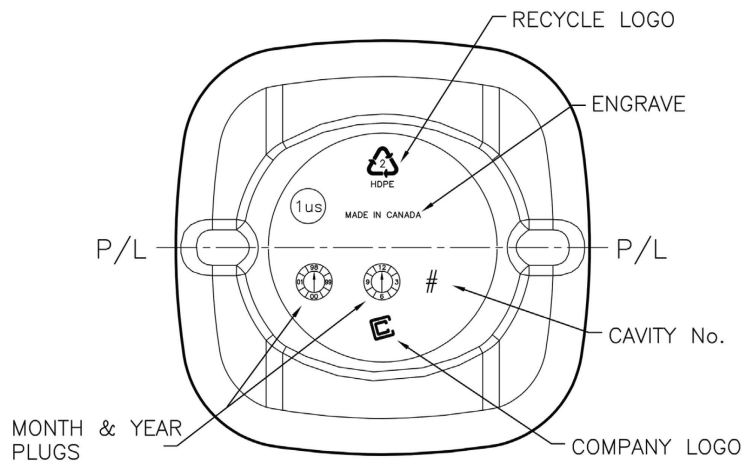


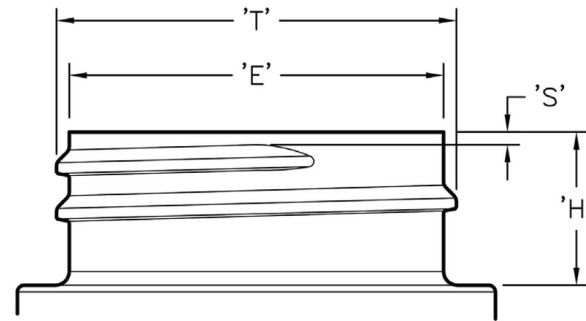
FRONT VIEW



RIGHT SIDE VIEW



BOTTOM VIEW



SP-400 38mm NECK

DISCLAIMER

THIS INFORMATION IS PROVIDED AS A GENERAL GUIDE, INCLUDING DIMENSIONS. IT IS THE CUSTOMER'S RESPONSIBILITIES TO SELECT THE PROPER CONTAINER FOR PRODUCT AND APPLICATION COMPATIBILITY.

DISTRIBUTED BY:



REF NO.:

DWG20570

DESCRIPTION:

128 oz HDPE Square Bottle, 38-400