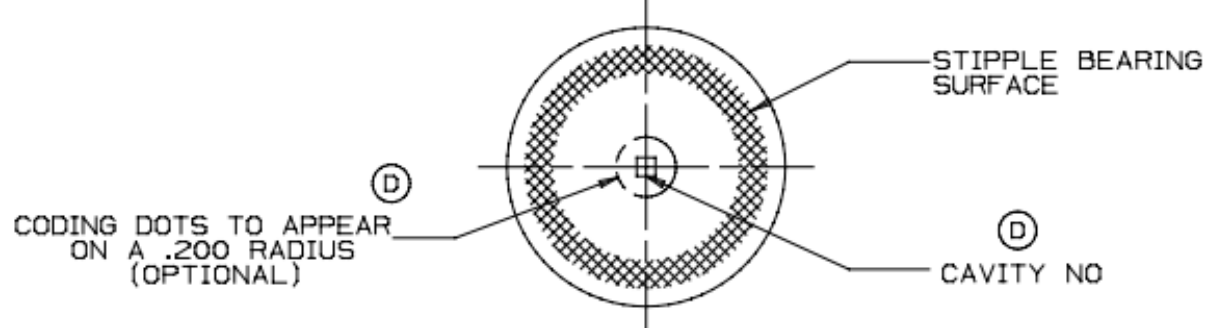
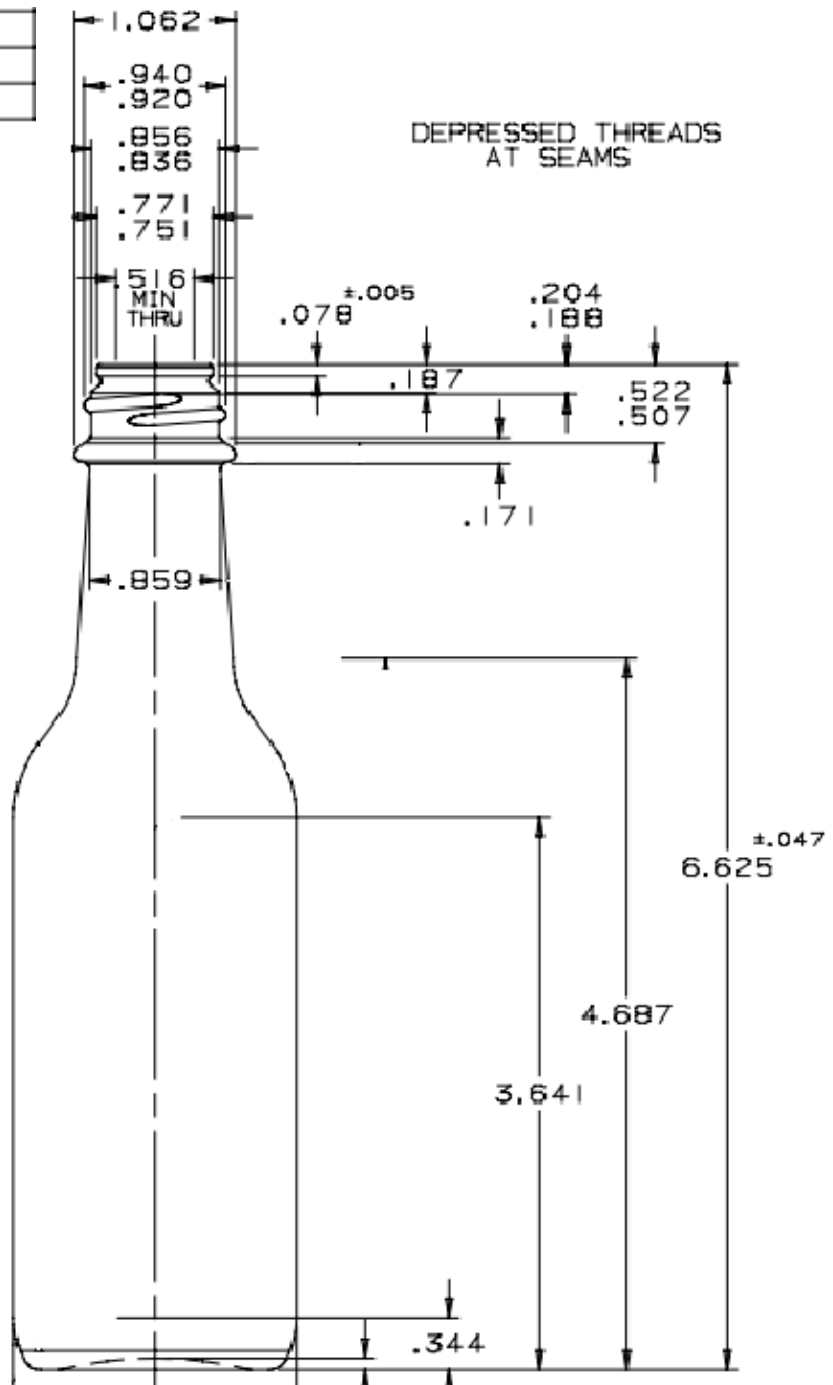


PRACTICAL FILL	5 oz
CAPACITY	156.3cc ± 3.2cc OF
FINISH	GPI 490-24mm-405



DISTRIBUTED BY:	REF NO.:
Pipeline Packaging	DWG30655

DESCRIPTION:
5 oz Flint Woozy, 24-490

DISCLAIMER
THIS INFORMATION IS PROVIDED AS A GENERAL GUIDE, INCLUDING DIMENSIONS. IT IS THE CUSTOMER'S RESPONSIBILITIES TO SELECT THE PROPER CONTAINER FOR PRODUCT AND APPLICATION COMPATIBILITY.