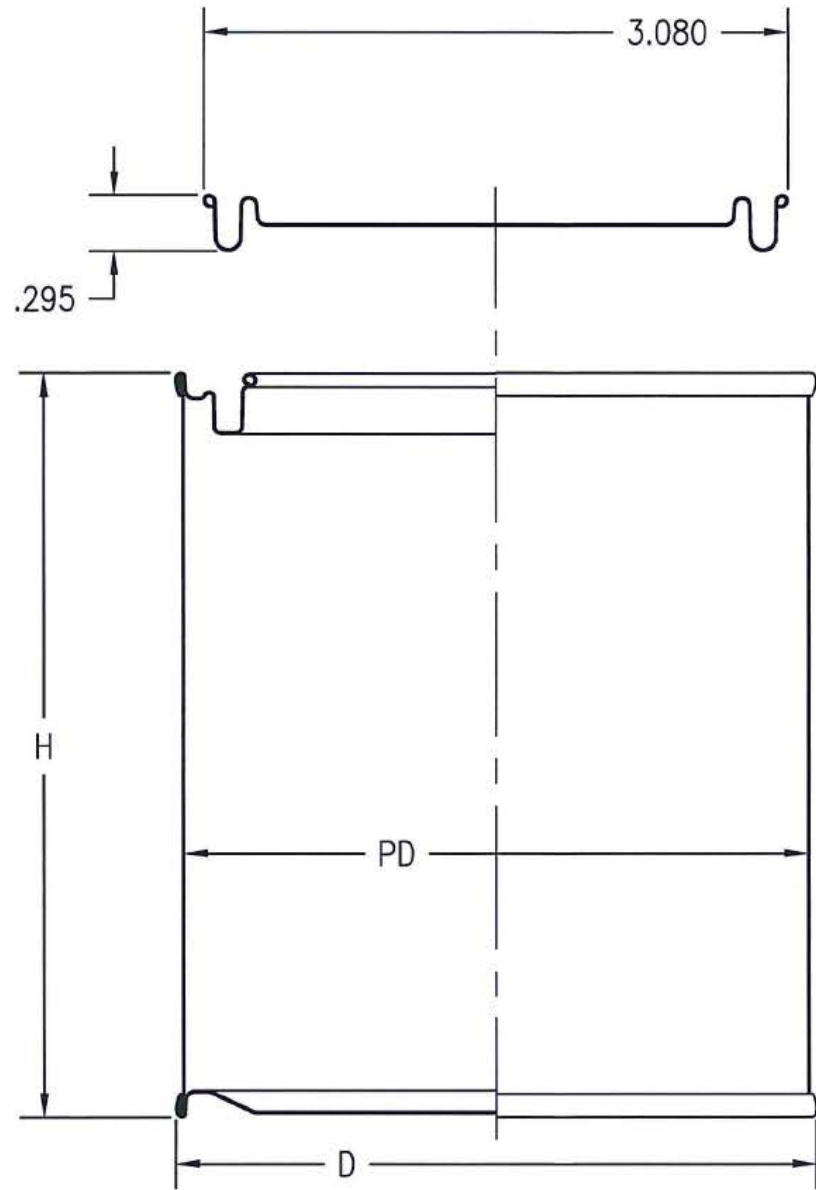
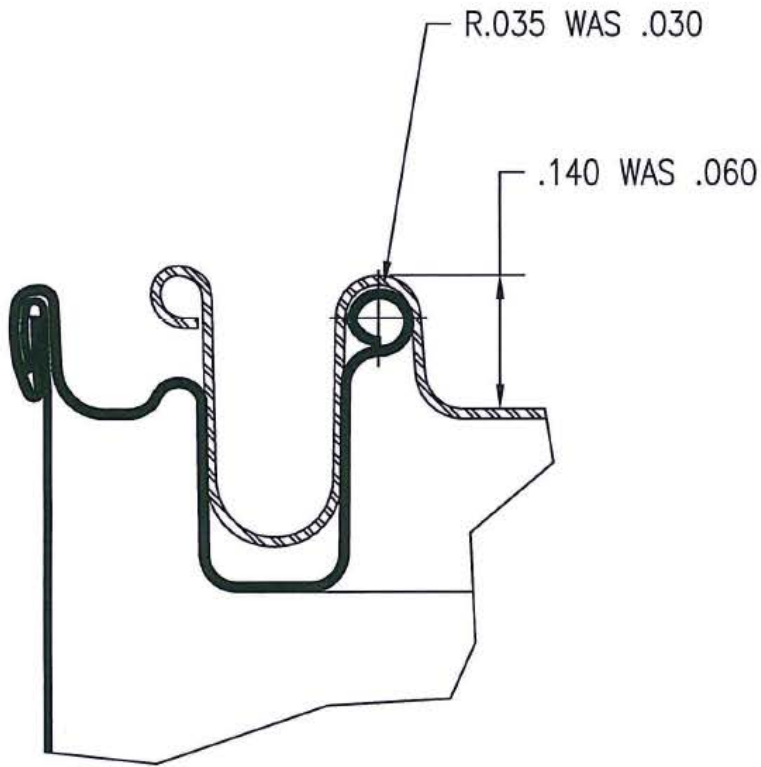


"PHASE 2 DESIGN"



REFERENCE DIMENSIONS

CAN	D	PD	H
307 X 315	3.400	3.281	3.925

DISCLAIMER

THIS INFORMATION IS PROVIDED AS A GENERAL GUIDE, INCLUDING DIMENSIONS. IT IS THE CUSTOMER'S RESPONSIBILITIES TO SELECT THE PROPER CONTAINER FOR PRODUCT AND APPLICATION COMPATIBILITY.

DISTRIBUTED BY:



REF NO.:

DWG20586

DESCRIPTION:

1 Pint Round Can