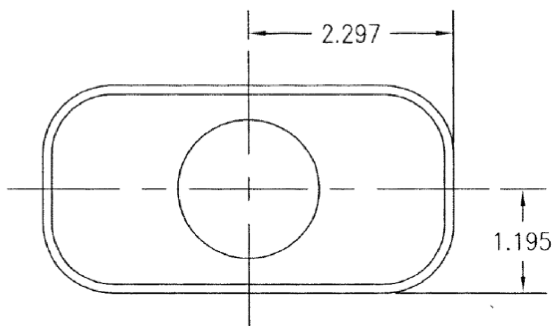
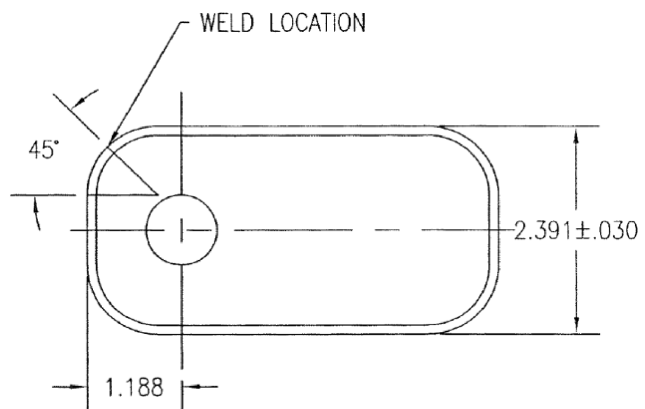
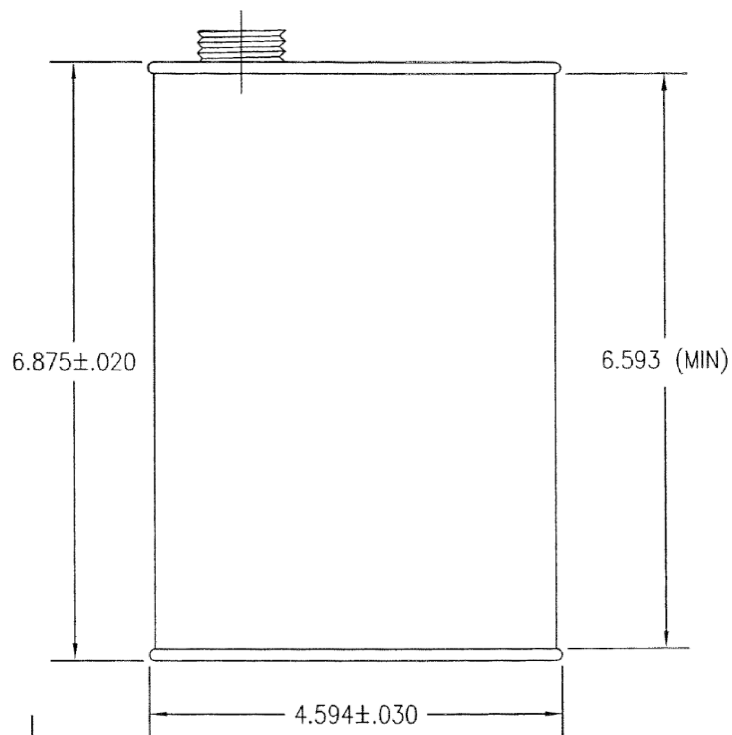


NOZZLE SIZE & TYPE	CENTER OPENING	END OPENING
RIEKE JR.	✓	
.954" INWARD CURL	✓	
.954" OUTWARD CURL	✓	
1.000" DELTA		✓
1.000" INTERNATIONAL		✓
1 1/8" BETA		✓
1 1/4" ALPHA	✓	✓
1 1/4" INTERNATIONAL		✓
1 3/4" ALPHA		✓
1 3/4" DELTA		✓
1 3/4" INTERNATIONAL		✓
32mm METRIC DIN		✓



DISCLAIMER

THIS INFORMATION IS PROVIDED AS A GENERAL GUIDE, INCLUDING DIMENSIONS. IT IS THE CUSTOMER'S RESPONSIBILITIES TO SELECT THE PROPER CONTAINER FOR PRODUCT AND APPLICATION COMPATIBILITY.

DISTRIBUTED BY:



REF NO.:

DWG10109

DESCRIPTION:

1 Quart F-Style Can, 409x614