

UN Certification: 1H2/Y6/S

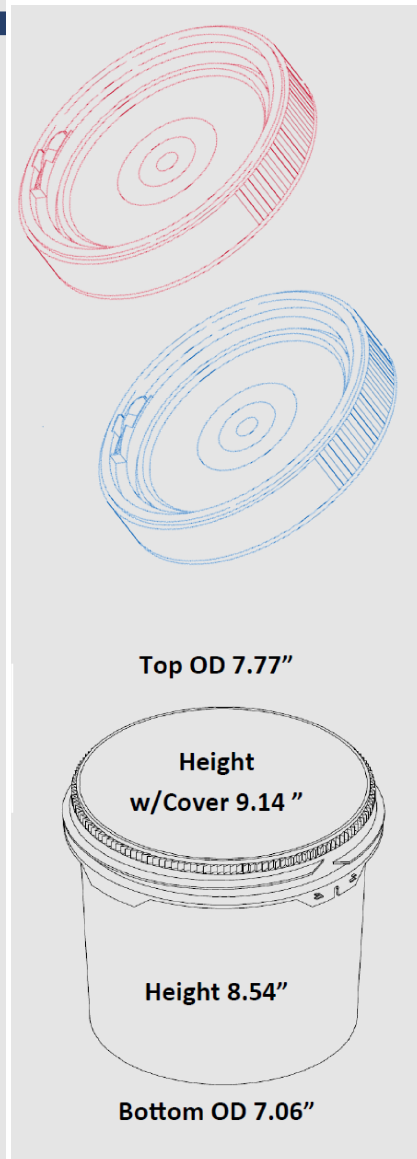


Cover Specification | Part No. 600052

Origin of Materials	100% US Manufactured
Material	High Density Polyethylene (HDPE)
Mfg. Method	Injection Molding
Weight	.321 lbs / 148g
Height	1.71"
Min Wall Thickness	.050"
Bottom OD	8.90"
Gasket	Neoprene / Available w/o Gasket
Standard Color	White, Red 186, Blue 300 <i>Please inquire about custom colors</i>
Case Quantity	90 per case / 720 per pallet

Pail Specification | Part No. 500013

Origin of Materials	100% US Manufactured
Material	High Density Polyethylene (HDPE)
Mfg. Method	Injection Molding / Plastic Handle
Weight	.69 lbs / 313 g
Min. Wall Thickness	.062"
Exterior Height	8.54" With Cover 9.14"
Top Inside Diameter	7.77"
Bottom Outside Diameter	7.06"
Shipping Quantity	20 Pails and Covers Per Case 400 Units per Pallet 14,400 Units per Truckload
Standard Color	White <i>Please inquire about custom colors</i>
Print Area	5" x 22.75"
Top Load Rating	175 lbs



DISCLAIMER

THIS INFORMATION IS PROVIDED AS A GENERAL GUIDE, INCLUDING DIMENSIONS. IT IS THE CUSTOMER'S RESPONSIBILITIES TO SELECT THE PROPER CONTAINER FOR PRODUCT AND APPLICATION COMPATIBILITY.

DISTRIBUTED BY:



DWG NO.:

DWG10180

DESCRIPTION:

1.25 gallon HDPE Life Latch Cover