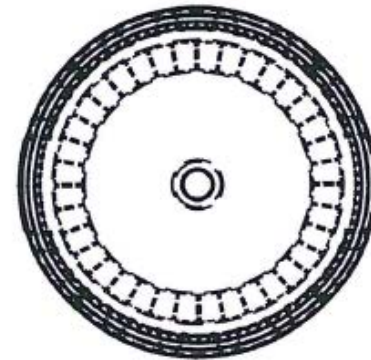
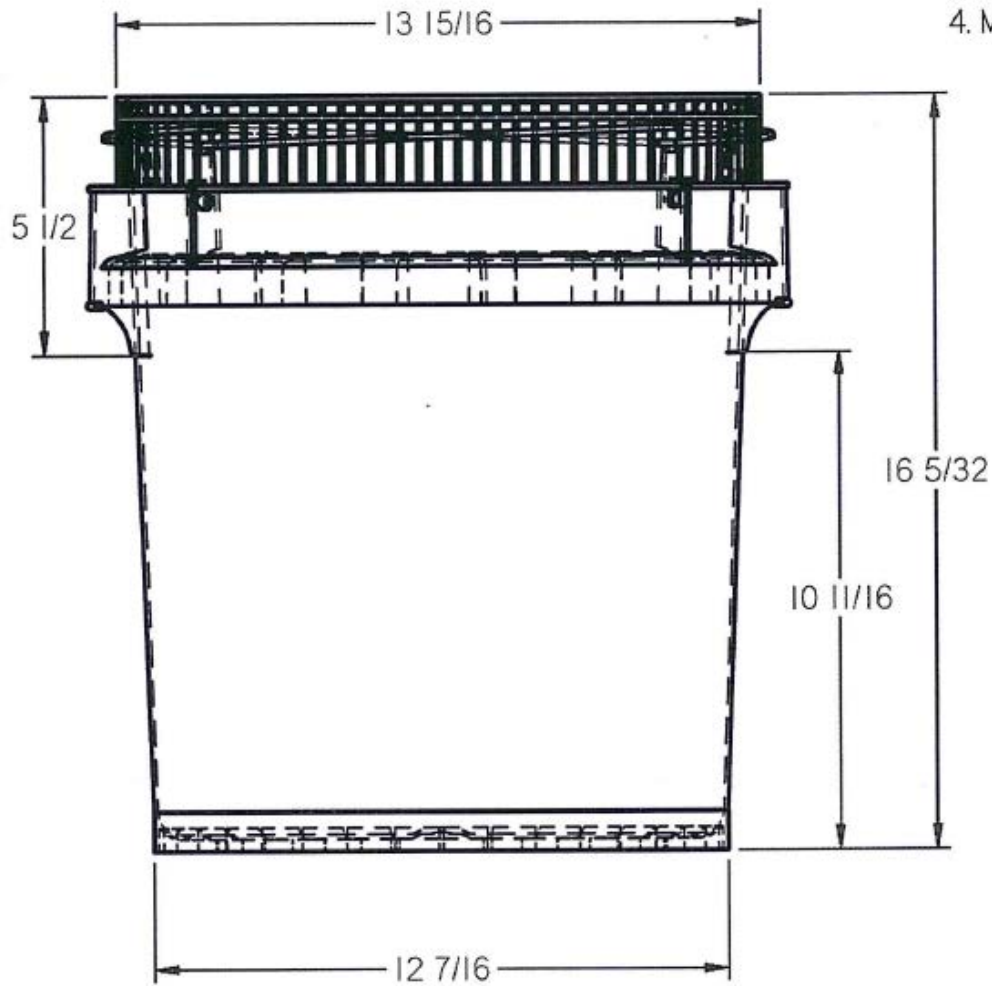


NOTES:

1. MATERIAL = HDPE
2. WEIGHT= 1.725 GRAMS
3. MAXIMUM VOLUME WITH COVER= 7.7 Gallons
4. MATERIAL= HDPE



**DISCLAIMER**

THIS INFORMATION IS PROVIDED AS A GENERAL GUIDE, INCLUDING DIMENSIONS. IT IS THE CUSTOMER'S RESPONSIBILITIES TO SELECT THE PROPER CONTAINER FOR PRODUCT AND APPLICATION COMPATIBILITY.

DISTRIBUTED BY:



REF NO.:

DWG20660

DESCRIPTION:

7.7-10.7 GAL HDPE SCREW TOP COVER