

SECTION A-A

THREAD DETAIL INFORMATION  
5 THREADS PER INCH, 0.200 PITCH

REFERENCE	TOLERANCE	DIMENSION	UNITS
T	±0.010[0.25]	3.528[89.61]	in [mm]
E	±0.010[0.25]	3.405[86.49]	in [mm]
H	±0.010[0.25]	0.502[12.75]	in [mm]
OAH	±0.010[0.25]	0.608[15.44]	in [mm]
OD	±0.012[0.30]	3.644[92.56]	in [mm]
PART WEIGHT	± 2.5	13.3	g

DISCLAIMER

THIS INFORMATION IS PROVIDED AS A GENERAL GUIDE, INCLUDING DIMENSIONS. IT IS THE CUSTOMER'S RESPONSIBILITIES TO SELECT THE PROPER CONTAINER FOR PRODUCT AND APPLICATION COMPATIBILITY.

DISTRIBUTED BY:

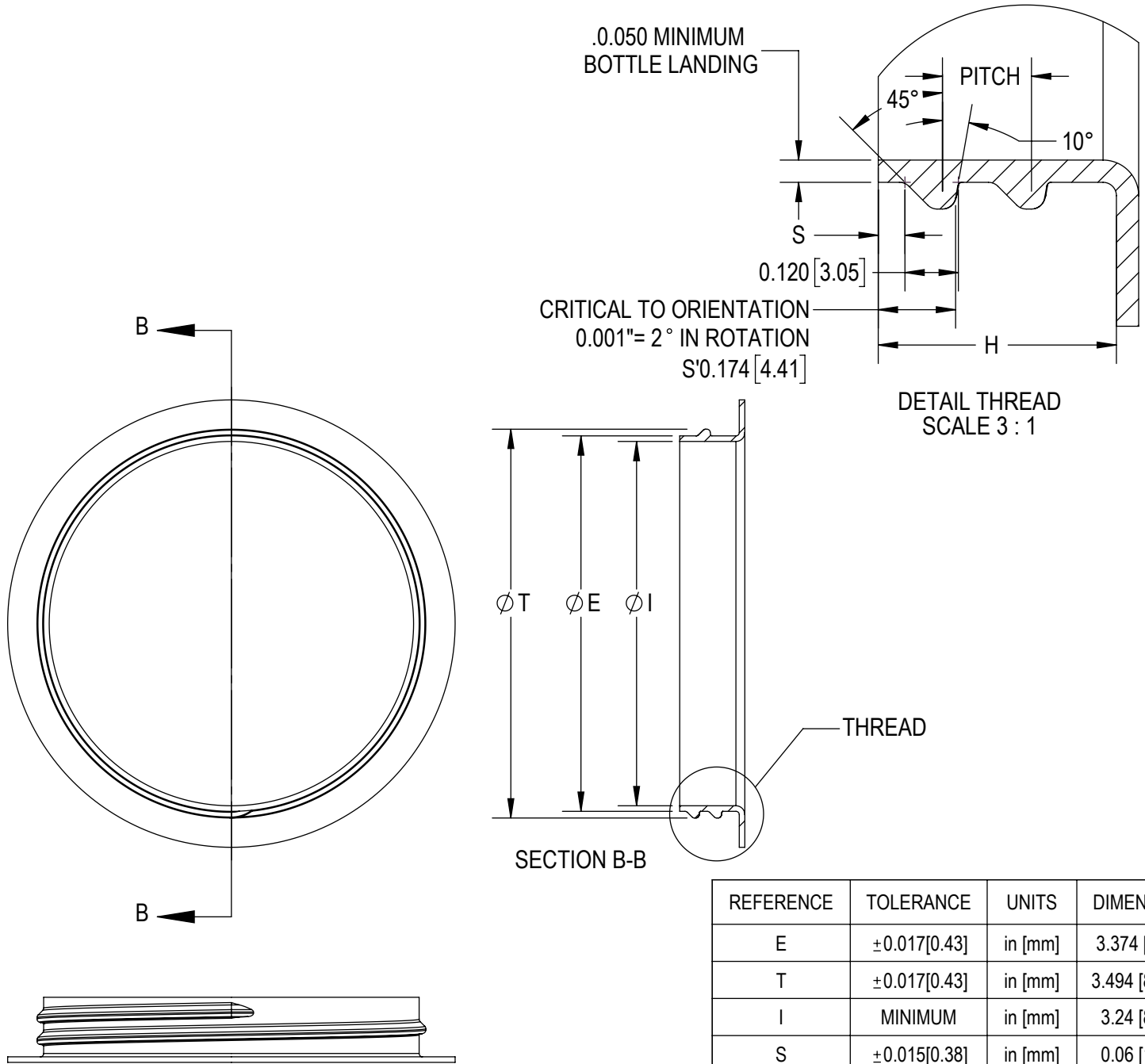


REF NO.:

DWG31152

DESCRIPTION:

89-400 White PP Matte Top, Ribbed Sides Cap with 004 Pharmseal V.020 PL



REFERENCE	TOLERANCE	UNITS	DIMENSION
E	±0.017[0.43]	in [mm]	3.374 [85.7]
T	±0.017[0.43]	in [mm]	3.494 [88.75]
I	MINIMUM	in [mm]	3.24 [82.3]
S	±0.015[0.38]	in [mm]	0.06 [1.52]
H	±0.015[0.38]	in [mm]	0.535 [13.59]
PITCH		in [mm]	0.200
TPI			5

**DISCLAIMER**

THIS INFORMATION IS PROVIDED AS A GENERAL GUIDE, INCLUDING DIMENSIONS. IT IS THE CUSTOMER'S RESPONSIBILITIES TO SELECT THE PROPER CONTAINER FOR PRODUCT AND APPLICATION COMPATIBILITY.

DISTRIBUTED BY:



REF NO.:

DWG31152

DESCRIPTION:

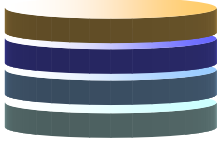
89-400 White PP Matte Top, Ribbed Sides Cap with 004 Pharmseal V.020 PL

# Pharm-Seal<sup>®</sup> V Vinyl Liner

MRP Description - (004)PHARMSEAL V.020 PL

Pharm-Seal<sup>®</sup> V is a primary liner that has clear, gloss, cross-linked polyvinyl coating as the product contact surface. This product is designed to meet the specific demands of pharmaceutical packaging. This liner provides reseal and good barrier to oxygen and moisture. Pharm-Seal<sup>®</sup> V is compatible with a wide range of products. This primary liner is most typically backed with pulp, but is also available with paper or polystyrene backing. Pharm-Seal<sup>®</sup> V is available plain or waxed.

## Structure

Material		Thickness* (Mils)	Thickness* (Microns)
Pulp	 <p>Product</p>	As specified	As specified
Bleach Kraft		3.1	78.7
High-Density Polyethylene		1.0	25.4
Polyvinyl Coating		0.35	8.9
Total (add specified pulp thickness)		4.5**	113**

\* The information listed reflects target values, and there will be variation in these values within acceptable industry standards ( $\pm 10\%$ ).

\*\* Note: The thickness of the total structure may not necessarily be the sum of the individual layers, and the total thickness reported is based upon actual measurements.

## FDA Status

All components and the manufacture of this seal comply with the U.S. Federal Government's Code of Federal Regulations 21CFR177.1210, Closures with sealing gaskets for food containers. Information pertaining to Tech-Seal Products, Inc. and its products are entered into Drug Master File 14762.

## Physical Properties

**Oxygen Transmission Rate** (cc / 100 in<sup>2</sup> / 24 hr @ 75° F & 5 0% R. H.): < 10.0

**Moisture Vapor Transmission Rate** (g / 100 in<sup>2</sup> / 24 hr @ 100° F, 90% R.H.): < 0.5

**Revision:** 12/01/2013

### DISCLAIMER

THIS INFORMATION IS PROVIDED AS A GENERAL GUIDE, INCLUDING DIMENSIONS. IT IS THE CUSTOMER'S RESPONSIBILITIES TO SELECT THE PROPER CONTAINER FOR PRODUCT AND APPLICATION COMPATIBILITY.

DISTRIBUTED BY:



REF NO.:

DWG31152

DESCRIPTION:

89-400 White PP Matte Top, Ribbed Sides Cap with 004 Pharmseal V.020 PL