

# CUSTOMER SPECIFICATION

Description: **Aeroflow Pe Nat Red 3/4 BSP Short Thread Adaptor**



| <u>Component:</u> | <u>Material:</u> |
|-------------------|------------------|
| Body              | PE               |
| Spigot            | PP               |
| Separator         | PP               |
| Adaptor           | PE               |
| Washer            | Silicone         |

**Recommended Fitment:**  
Rigid containers that have 3/4" BSP taper thread socket. (This tap has a tapered thread, back nuts are not suitable to fit this thread).

**Typical Application:**  
Water, beverage, chemicals, liquid food, viscous liquids.

**Irradiation:** Contact technical support.

**Food Contact:**

All materials used within the moulding process are formulated to comply with these requirements:

1. Regulation (EC) No 1935/2004 on materials and articles intended to come into contact with food.
2. Commission Regulation (EU) No 10/2011 on plastic materials and articles intended to come into contact with food and amendmetns.
3. Commission Regulation (EC) No 2023/2006 on good manufacturing practice for materials and articles intended to come into contact with food.
4. European Parliament and Council Directive 94/62/EC on packaging and packaging waste - Article 11.

The Silicone component is formulated to comply with these requirements:

1. BfR Recommendation XV. for Silicones.
2. FDA CFR 21 § 177.2600 Rubber articles intended for repeated use.

**Inspection & Test:**

Dimensional and visual checks will be carried out and recorded as laid down in the Liquibox internal Operating Procedures and Specifications.

**Packaging:**

Parts are packed into lined corrugated boxes.

**Operating Conditions:**

This product is designed for filling & operating temperatures between 4°C and 40°C.

Articles that are taken from cold storage conditions must be left to reach operating conditions before use in order to avoid condensation, embrittlement or thermal shock.

DISTRIBUTED BY:



REF NO.:

DWG50007

DISCLAIMER  
THIS INFORMATION IS PROVIDED AS A GENERAL GUIDE, INCLUDING DIMENSIONS. IT IS THE CUSTOMER'S RESPONSIBILITIES TO SELECT THE PROPER CONTAINER FOR PRODUCT AND APPLICATION COMPATIBILITY.

DESCRIPTION:

Faucet, Aeroflow, Red

---

**Storage:**

Optimum storage temperature is between 10°C and 30°C.

Avoid prolonged storage at extremes of temperature. Do not exceed limits below:

- Temperature: Minimum 0°C to Maximum 40 C.
- Humidity: 20% to 80% RH.

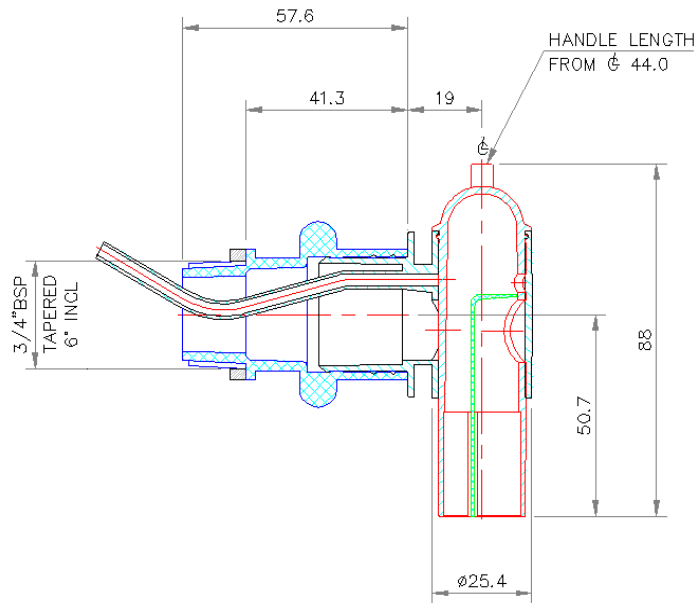
Areas should be clean and dry.

Do not double stack pallets and do not expose to direct sunlight.

Do not store near to noxious substances and product should be stored in original transit boxes and kept dry at all times.

Regular inspection of pallets is recommended.

---

**Drawing:**

DISCLAIMER

THIS INFORMATION IS PROVIDED AS A GENERAL GUIDE, INCLUDING DIMENSIONS. IT IS THE CUSTOMER'S RESPONSIBILITIES TO SELECT THE PROPER CONTAINER FOR PRODUCT AND APPLICATION COMPATIBILITY.

DISTRIBUTED BY:



REF NO.:

DWG50007

DESCRIPTION:

Faucet, Aeroflow, Red