

5.3-Gallon EZ STOR® Container with Hinged Cover

Multiple Uses

Dry Products

Product Codes

Container: **E538**

Description: 5.3-gallon rectangular can

Cover: **ESDH / ESDR**

Description: Dry seal, tamper-evident, hinged EZ open & close cover

Features

- Built in hand grips
- Gauge: 80 mil.
- Nominal capacity: 5.3 USG / 20 L
- Stack performance: 220 lbs.*
- Tare weights: Body: 1.90 lbs. / .86 kgs.
- Cover: .39 lbs. / .18 kgs.

Note: *Ratings will be reduced with uneven load distribution.

Specifications with Cover

- Dimensions: 11-15/16"L X 9-7/8"W X 14-11/16"H*
- Maximum capacity: 5.6 USG / 21.2 L
- Tare weight: 2.29 lbs. / 1.04 kgs.

Notes: *Based on HDPE body

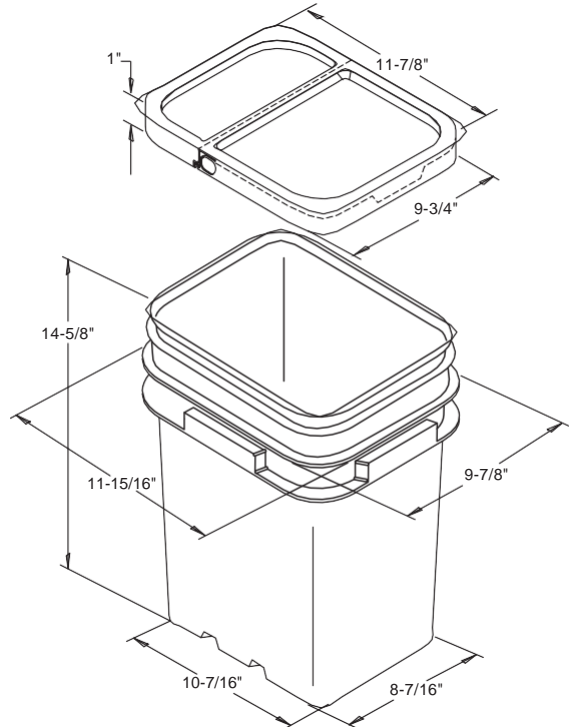
Colors

- Standard: White, Black, Natural and Clear
- Custom: Available at manufacturer's discretion

Decorating Options*

- Four or six color offset printing**
- Sleeve or pressure sensitive labeling
- In-Mold labeling (IML)
- NXT Graphics®

Note: *See EZ Stor Decoration Summary for further details.
**Where available.



Shipping Data

	Bodies	Covers
Qty. per pallet:	144	1,440 (30 boxes of 48)
Gross Weight (lbs./kgs)*:	273.6/123.8	561.6/259.2
Den. (lbs./C.F./kgs./m3):	4.6/72.8	6.1/99.3
Length (in./cm.):	49.5/125.7	48/121.9
Width (in./cm.):	41/104.1	40/101.6
Height (in./cm.):	50.5/128.3	83/210.8

Estimated truckload quantity of 6,336 bodies and covers**

Filled Containers

48 (16 per layer / 3 layer high)
Pallet height: 48.75"

Notes: *Weight does not include pallet / packaging
**Truckload quantity based on 53' trailer

Materials

- FDA approved materials
- Resin: Body: High Density Polyethylene (HDPE)
or Clear Polypropylene
- Cover: Polypropylene (PP)

Optional Carrying Handle

DISCLAIMER

THIS INFORMATION IS PROVIDED AS A GENERAL GUIDE, INCLUDING DIMENSIONS. IT IS THE CUSTOMER'S RESPONSIBILITIES TO SELECT THE PROPER CONTAINER FOR PRODUCT AND APPLICATION COMPATIBILITY.

DISTRIBUTED BY:



REF NO.:

DWG31243

DESCRIPTION:

5.3 Gallon White HDPE Plastic EZ Stor Ropak
Rectangular Pail, Black CWL