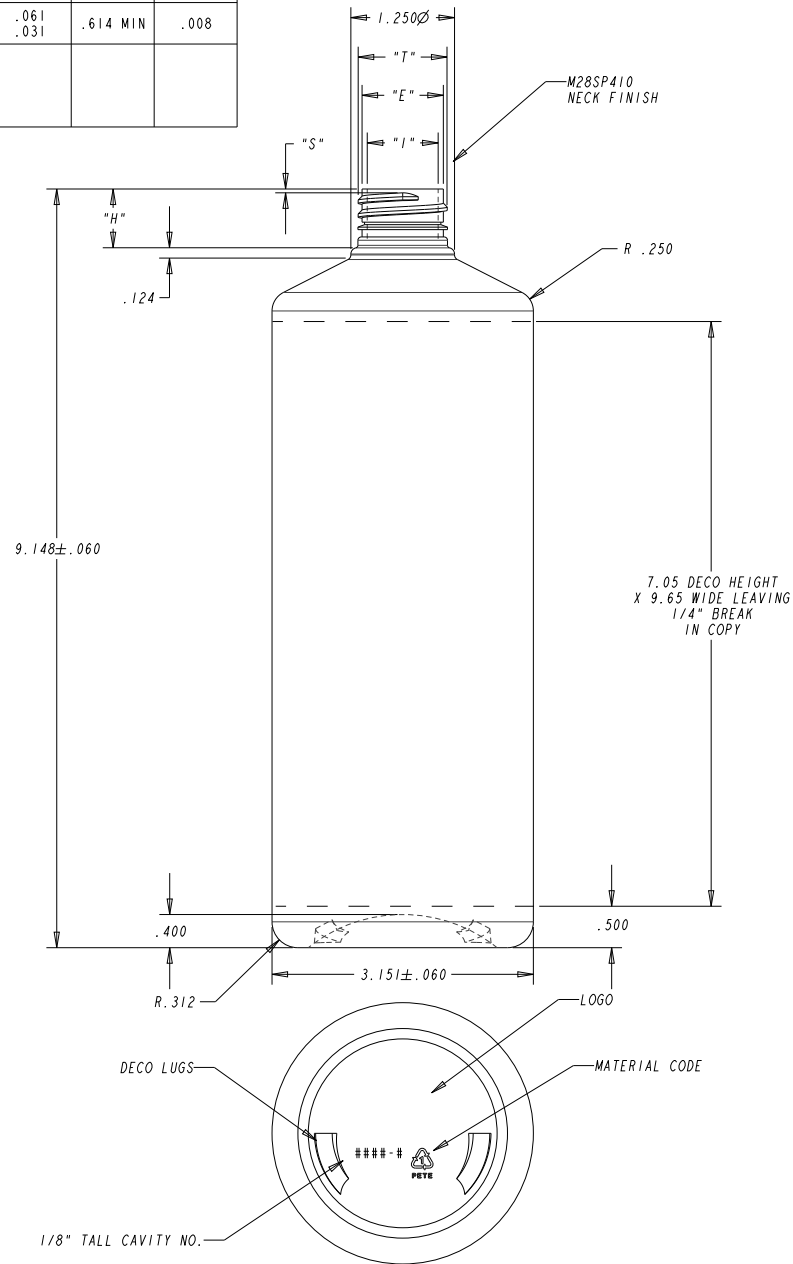


NECK FINISH	BOTTLE WEIGHT (±2 GR)	OVERFLOW CAPACITY (±15 CC)	"T" DIA	"E" DIA	"H" DIM	"S" DIM	"I" DIA	MIN WALL THICKNESS
M28SP410	41.0	1013.5	1.088 1.068	.994 .974	.723 .693	.061 .031	.614 MIN	.008



DISCLAIMER

THIS INFORMATION IS PROVIDED AS A GENERAL GUIDE, INCLUDING DIMENSIONS. IT IS THE CUSTOMER'S RESPONSIBILITIES TO SELECT THE PROPER CONTAINER FOR PRODUCT AND APPLICATION COMPATIBILITY.

DISTRIBUTED BY:



REF NO.:

DWG31181

DESCRIPTION:

32 oz Clear PET Cylinder, 28-410