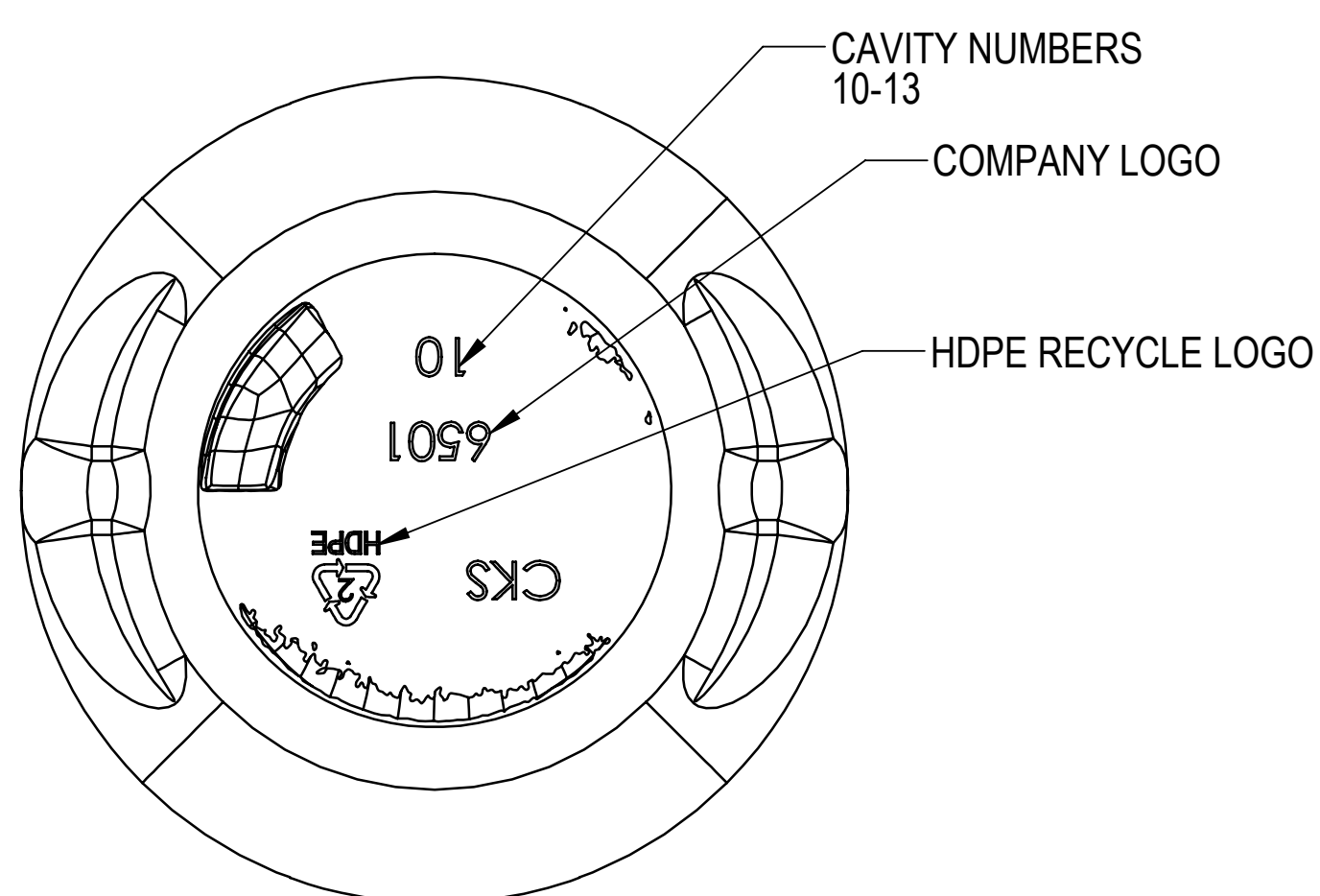
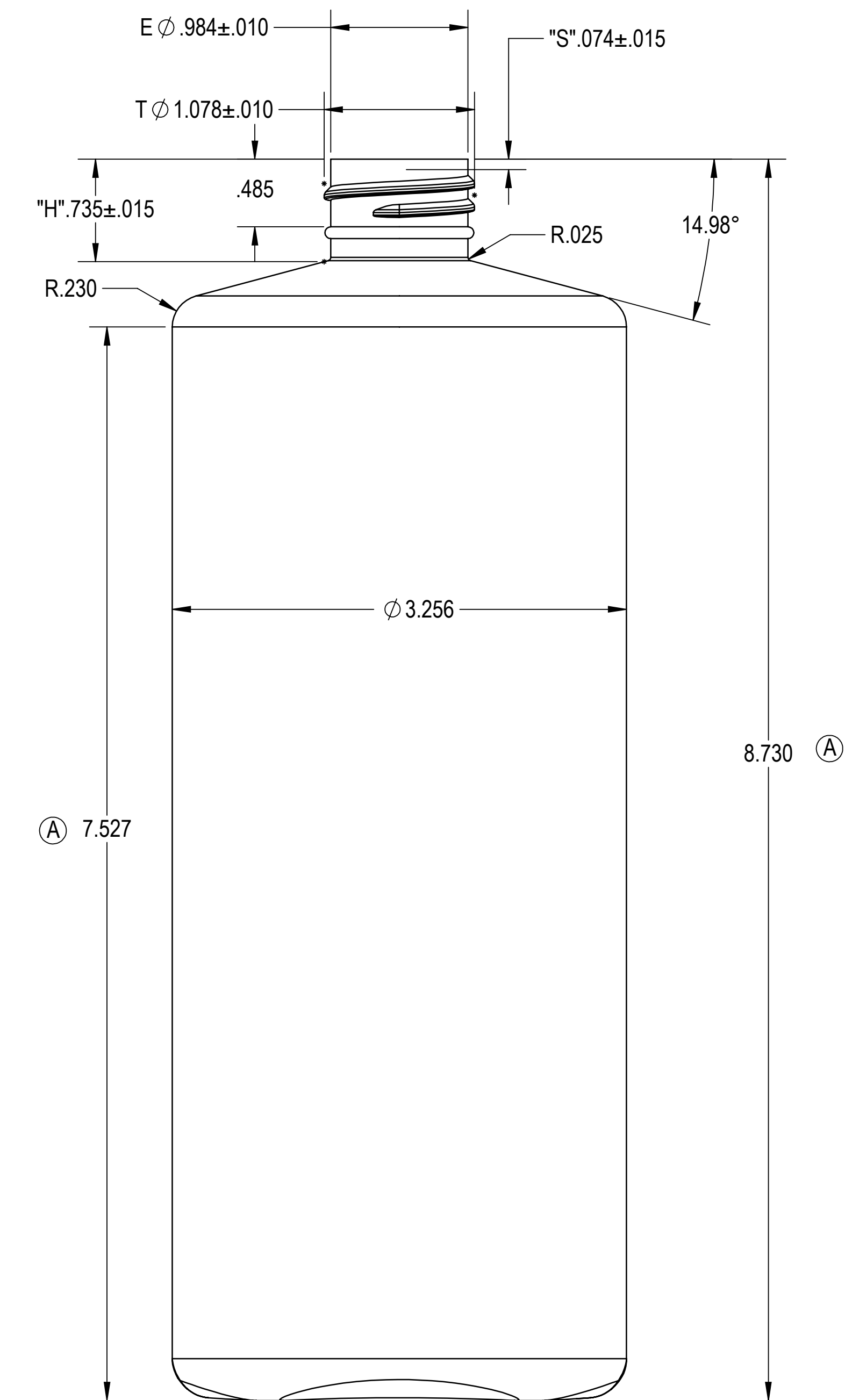
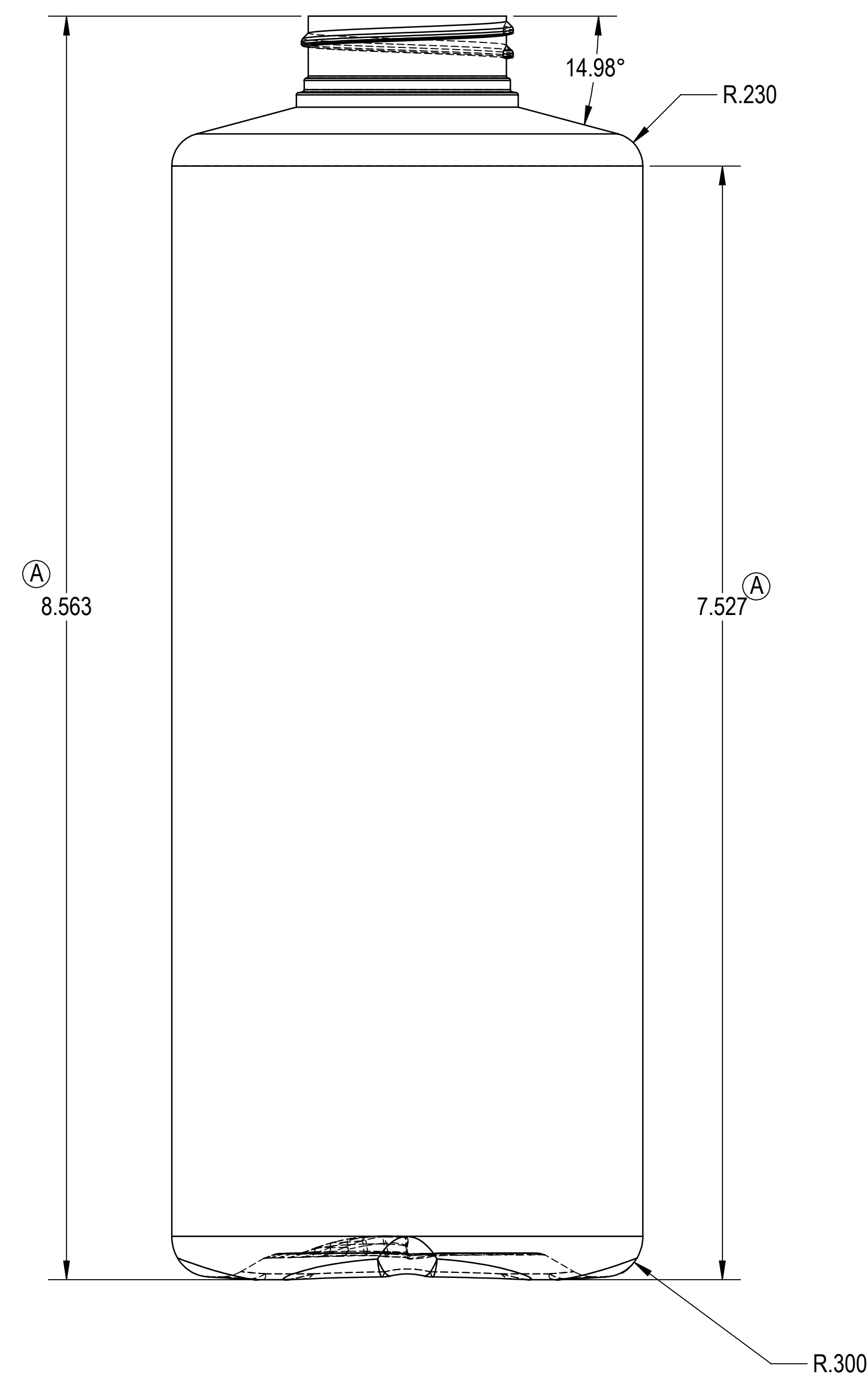
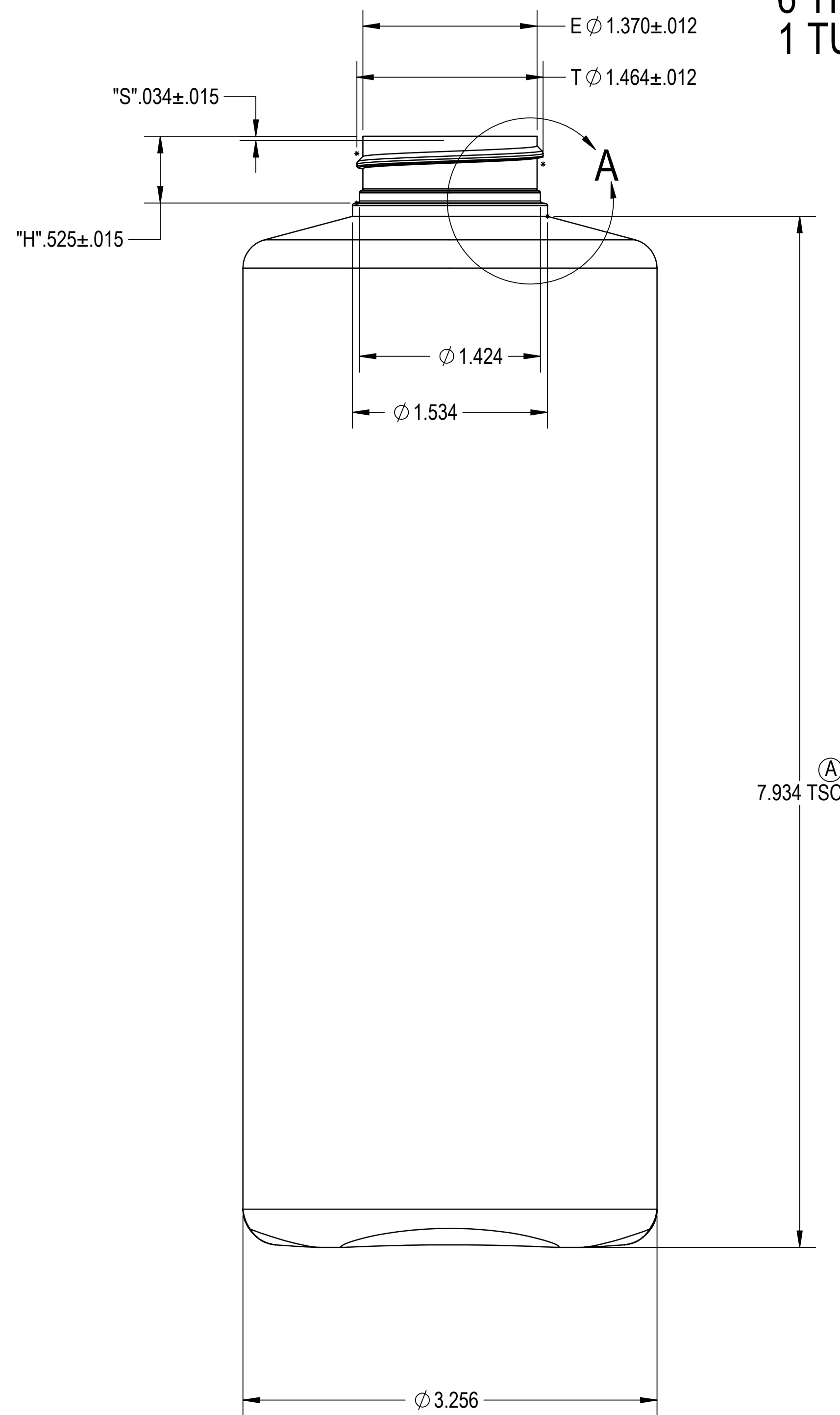


DETAIL A  
SCALE 3 : 1

M28-SP410 SPECIAL  
6 THREADS PER INC  
1 1/2 TURNS OF FULL THREAD

M38-SP400 SPECIAL  
6 THREADS PER INC  
1 TURN OF FULL THREAD



- NOTES:
1. DO NOT SCALE DRAWING
  2. MATERIAL: H.D.P.E.
  3. GRAM WT.: 52gm  $\pm$  2gm
  4. OVERFLOW CAPACITY: 34.45 fl. oz.  $\pm$  .51 fl. oz.  
(A) 1019 cc.  $\pm$  15 cc
  5. STANDARD S.P.I. TOLERANCES  
APPLY TO ALL BODY DIMENSIONS.

**DISCLAIMER**

THIS INFORMATION IS PROVIDED AS A GENERAL GUIDE, INCLUDING DIMENSIONS. IT IS THE CUSTOMER'S RESPONSIBILITIES TO SELECT THE PROPER CONTAINER FOR PRODUCT AND APPLICATION COMPATIBILITY.

DISTRIBUTED BY:



REF NO.:

DWG 31220

DESCRIPTION:

32 oz Blue/White HDPE Plastic Cylinder Bottle, 55 Gram, Flame Treated, 38-400

**BOTTLE SPECIFICATIONS SHEET**

<b>BOTTLE</b> 32 OZ ATM CYLINDER		<b>PACK:</b>	
<b>NECK FINISH:</b>	38-400	<b>BULK BOX</b>	C001023
<b>WEIGHT:</b>	<b>53      55      56</b>		
<b>COLOR:</b>	BLUE WHITE K020412 2%	<b>STAGGER</b>	<b>PACK ROWS OF BOTTLES</b>
<b>MATERIAL:</b>	HDPE	7 - 6 - 7 - 6 - 7 - 6 - 7	
<b>LECTRO TREAT</b>	<b>YES      REQUIRED</b>	STACK BOXES 4 PER LAYER X 5 HIGH - FULL WRAP	
		<b>COUNT:</b>	92 - 1
<b>SPECIFICATIONS</b>		<b>NECK:</b>	UP
<b>NECK FINISH:</b>			<b>BOTTLE DIMENSIONS</b>
	<b>MIN.</b>	<b>SPEC.</b>	<b>MAX.</b>
<b>" H " DIM.</b>	0.505		0.540
<b>" S " DIM.</b>	0.019		0.049
<b>" T " DIM.</b>	1.452		1.476
		<b>LABEL HEIGHT</b>	APPROX 7.320
<b>" E " DIM.</b>	1.358		1.382
		<b>WALL THCK</b>	0.015
<b>SPECIAL INSTRUCTIONS:</b>		<b>CAPACITY</b>	32 OZ
<b>GOOD WALL DISTRIBUTION, NO WATERMARKS</b>		<b>SHOULDER TH</b>	0.035
		<b>TOP LOAD</b>	20 LB EMPTY

**DISCLAIMER**  
 THIS INFORMATION IS PROVIDED AS A GENERAL GUIDE, INCLUDING DIMENSIONS. IT IS THE CUSTOMER'S RESPONSIBILITIES TO SELECT THE PROPER CONTAINER FOR PRODUCT AND APPLICATION COMPATIBILITY.

DISTRIBUTED BY: 

REF NO.:  
 DWG 31220

DESCRIPTION:  
 32 oz Blue/White HDPE Plastic Cylinder Bottle, 55 Gram, Flame Treated, 38-400