

3.9 Gallon LBR Pail with Tear Skirt Cover

Multiple Uses

UN-solids rated in Canada to Y20/S
 UN-solids rated in US to Y27/S
 May also be used for non-hazardous liquids and solids

Product Codes

Container: **5400 Series**
 Description: 3.9 gallon LBR pail

Cover: 6500 Series

Description: Standard Tear Skirt Cover

Note: *Multiple fitting and venting options available

Features

Gauge: 90 mil.
 Nominal capacity: 3.9 USG / 14.7 L
 Stack performance: 350 lbs.*
 Tare weights: Body: 1.7 lbs. / .771 kgs
 Cover: .66 lbs. / .300 kgs.

Note: *Ratings will be reduced with uneven load distribution.

Specifications with Cover

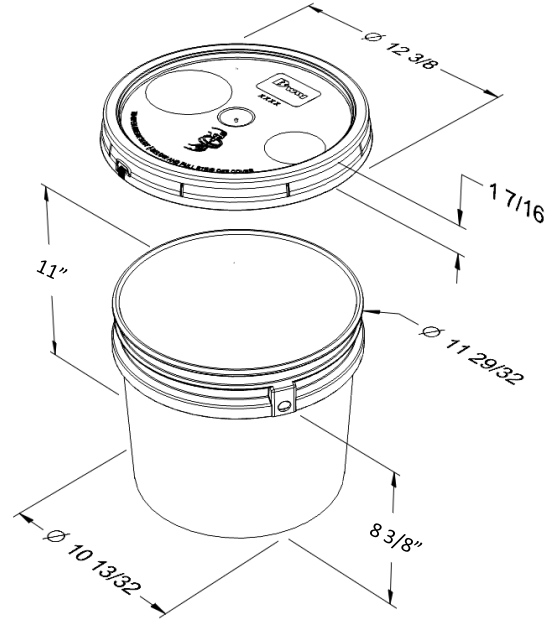
Dimensions: 12-3/8" D X 11-1/4"H
 Maximum capacity: 4.2 USG / 15.8 L
 Tare weight: 2.36 lbs. / 1.07 kgs.

Colors

Standard: White, Black and Natural
 Custom: Available at manufacturer's discretion

Decorating Options

Four color offset printing
 Print area: 33"W x 5-3/4"H
 Sleeve or pressure sensitive labeling



Shipping Data

Qty. per pallet/carton:
 Gross Weight (lbs./kgs.)**:
 Length (in./cm.):
 Width (in./cm.):
 Height (in./cm.):

Bodies

168*
 306 / 209
 36 / 91.4
 48 / 121.9
 94 / 238.7

Covers

1,200*
 792 / 359
 48 / 122
 40 / 102
 98 / 249

Filled Containers

36 (12 per layer / 3 layers high)
 Pallet Height: 33"

Estimated truckload quantity of 6,300 bodies and covers***

Notes: *Quantity can vary based on customer request

**Weight does not include pallet/package

***Truckload quantity based on 53' trailer

Materials

FDA approved materials
 Resin: Body: High-Density Polyethylene (HDPE)
 Cover: High-Density Polyethylene (HDPE)

MSDS Sheets available upon request

Optional Carrying Handle

Wire or Plastic

DISTRIBUTED BY:



REF NO.:

DWG31257

DESCRIPTION:

3.9 Gallon HDPE Plastic Open Head Pail

DISCLAIMER

THIS INFORMATION IS PROVIDED AS A GENERAL GUIDE, INCLUDING DIMENSIONS. IT IS THE CUSTOMER'S RESPONSIBILITIES TO SELECT THE PROPER CONTAINER FOR PRODUCT AND APPLICATION COMPATIBILITY.