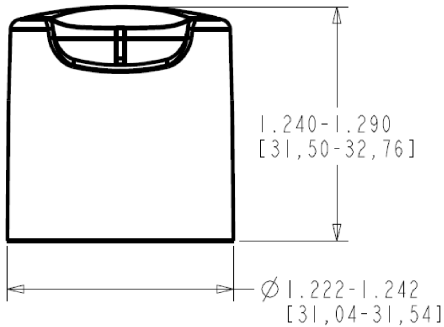
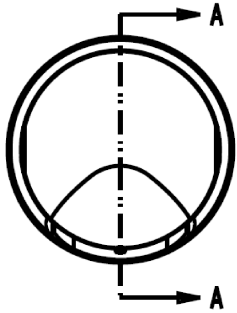


THE BOTTLE NECK DIMENSIONS SHOWN ARE BASED UPON CURRENT KNOWLEDGE. IT IS THE RESPONSIBILITY OF THE RECEIVER OF THE INFORMATION CONTAINED IN THIS DRAWING TO TEST FOR FIT AND FUNCTION OF THE TOTAL PACKAGE. DIMENSIONS SHOWN ARE INTENDED FOR POLYETHYLENE BOTTLES ONLY. IF ANOTHER BOTTLE MATERIAL IS USED, SOME DIMENSIONS AND TOLERANCES MAY REQUIRE ADJUSTMENT.

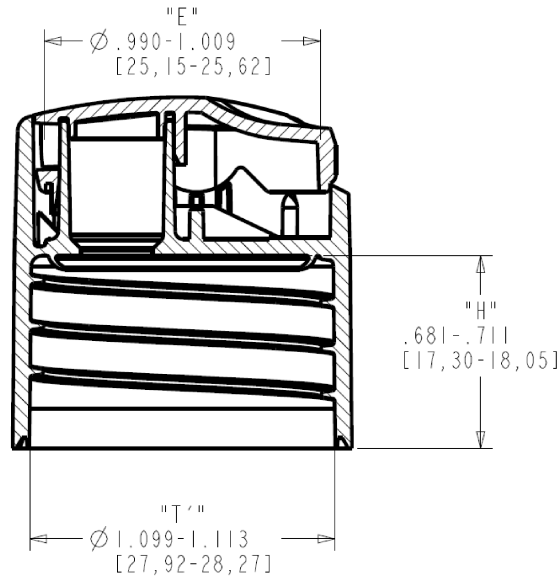
NOTES:

1. THE "T" & "E" DIAMETERS ARE THE AVERAGE OF 2 MEASUREMENTS TAKEN APPROXIMATELY 90° APART
2. THE "T" DIAMETER IS TAKEN TOWARD THE BOTTOM OF THE CLOSURE JUST BELOW THE START OF FULL THREAD
3. THE "E" DIAMETER IS TAKEN AS CLOSE TO THE INSIDE DECK AS POSSIBLE
4. THE EFFECTIVE "H" DIMENSION CAN BE ESTIMATED BY SUBTRACTING .028 FROM THE SPECIFIED "H" DIMENSION. THIS REFLECTS THE ESTIMATED COMPRESSION OF THE SEALING MECHANISM AT NOMINAL APPLICATION TORQUE

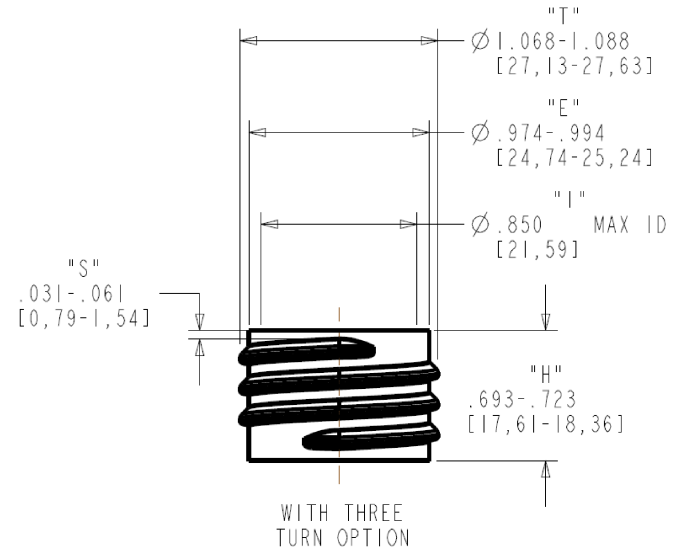
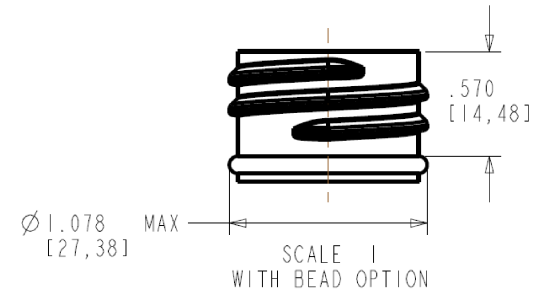


NOMINAL ORIFICE SIZES AVAILABLE

	.170 X .430 [4,32 X 10,92]
	.170 X .330 [4,32 X 8,38]



SECTION A-A
SCALE 1.500



RECOMMENDED NECK FINISH

LAND MUST BE SMOOTH AND FREE OF NICKS OR RAGGED EDGES
6 T.P.I. - "M" STYLE THREAD
USE OF BEAD IS OPTIONAL
TWO THREAD TURNS STANDARD
THREE THREAD TURNS OPTIONAL

DISCLAIMER

THIS INFORMATION IS PROVIDED AS A GENERAL GUIDE, INCLUDING DIMENSIONS. IT IS THE CUSTOMER'S RESPONSIBILITIES TO SELECT THE PROPER CONTAINER FOR PRODUCT AND APPLICATION COMPATIBILITY.

DISTRIBUTED BY:



REF NO.:

DWG10449

DESCRIPTION:

28-410 PP Domed Gloss Disc Top Cap