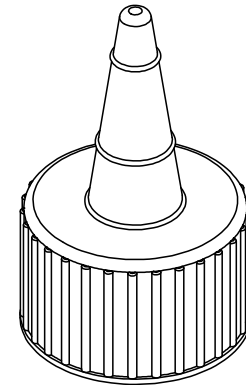


SECTION A-A



NOTES:

1. HOLE SIZE OPTION 0.030"
2. THREADS: BUTTRESS FORM, 2 FULL TURNS
3. COLOR AS ORDERED
4. FINISH: SPI #3

**DISCLAIMER**

THIS INFORMATION IS PROVIDED AS A GENERAL GUIDE, INCLUDING DIMENSIONS. IT IS THE CUSTOMER'S RESPONSIBILITIES TO SELECT THE PROPER CONTAINER FOR PRODUCT AND APPLICATION COMPATIBILITY.

DISTRIBUTED BY:

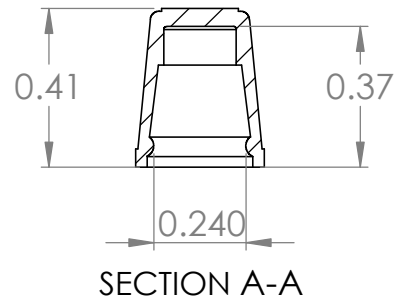
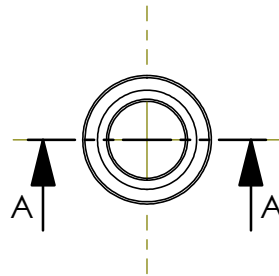


REF NO.:

DWG 31333

DESCRIPTION:

28-410 Natural LDPE Yorker Cap, No Hole, w/ Regular Black Tip



**DISCLAIMER**

THIS INFORMATION IS PROVIDED AS A GENERAL GUIDE, INCLUDING DIMENSIONS. IT IS THE CUSTOMER'S RESPONSIBILITIES TO SELECT THE PROPER CONTAINER FOR PRODUCT AND APPLICATION COMPATIBILITY.

DISTRIBUTED BY:



REF NO.:

DWG 31333

DESCRIPTION:

28-410 Natural LDPE Yorker Cap, No Hole,  
w/ Regular Black Tip