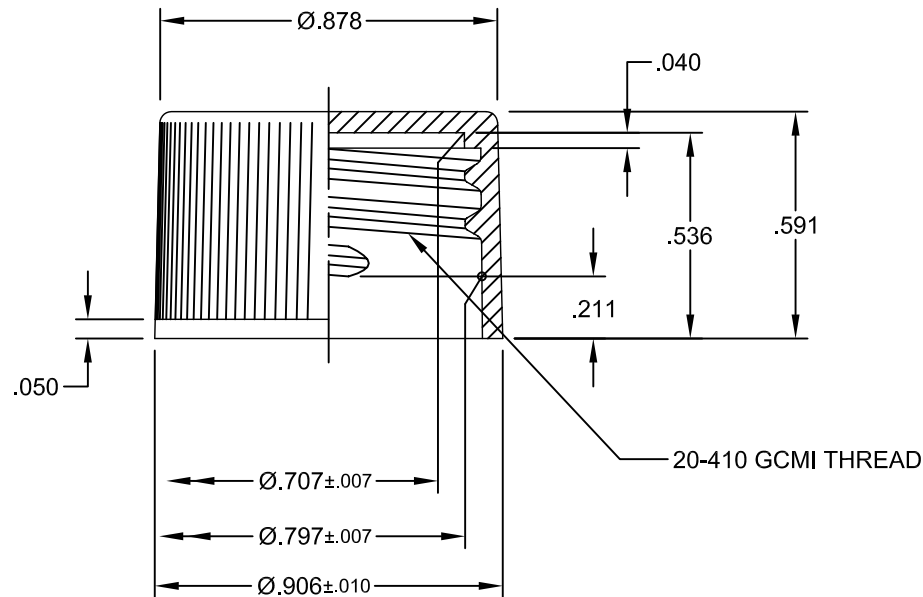


## Liner Specification

\* 35 F-217 WCS

### Dimensions in Order of Composition (Mils, Nominal):

Solid PE	2.5
Foamed LDPE Core	30
Solid PE	2.5



#### DISCLAIMER

THIS INFORMATION IS PROVIDED AS A GENERAL GUIDE, INCLUDING DIMENSIONS. IT IS THE CUSTOMER'S RESPONSIBILITIES TO SELECT THE PROPER CONTAINER FOR PRODUCT AND APPLICATION COMPATIBILITY.

DISTRIBUTED BY:



REF NO.:

DWG30429

DESCRIPTION:

20 mm, 204-10 White Ribbed Plastic Screw Cap w/ Foam Liner (F217)