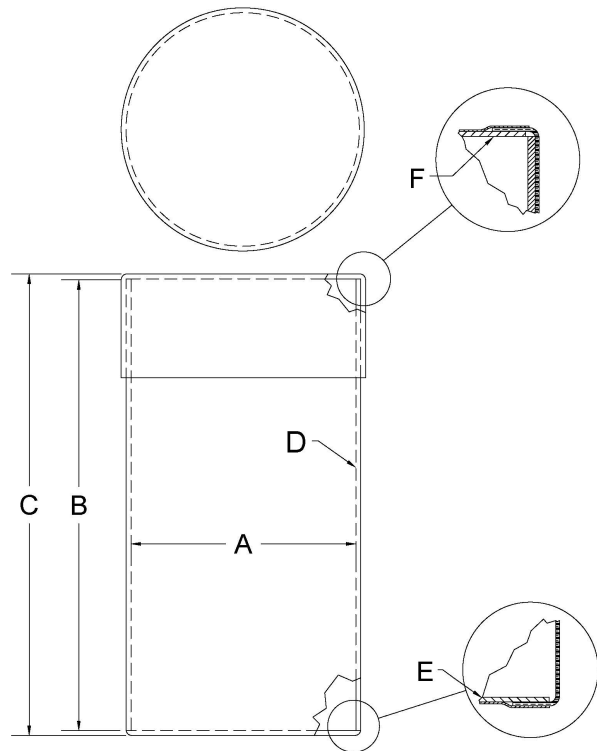


Fibre Drum



Specification

NMFC Article	Item 291 - Dry or Solid
NMFC Net Weight Limit	150#
UN Mark	None
Drum Type	All-Fi Transport
Inside Diameter (A)	15.5"
Inside Height (B)	24.5"
Outside Height (C)	25"
Tare Weight (approx)	6.2#
Nominal Capacity (U.S. Gallons)	20 Gallons
Exterior Finish	Plain Kraft
Sidewall Construction (D)	Min Thickness 600 PSI Mullen
Sidewall Adhesive	Sodium Silicate Between Each Lamination
Lining (D)	None
Barrier (D)	None
Bottom Thickness/Test (E)	.120"/800# PSI Heading
Cap Thickness/Test (F)	.120"/800# PSI Heading

Additional Construction	None
Paint or Skin Color	None
Silk Screen Color(s)	None
Poly Bag / Bag Option	None
Misc. Treatments	None
Special Instructions	Certificate stamp on sidewall

DISTRIBUTED BY:



REF NO.:

DWG31361

DESCRIPTION:

20 Gallon Fiber Drum with Telescoping Cover

DISCLAIMER

THIS INFORMATION IS PROVIDED AS A GENERAL GUIDE, INCLUDING DIMENSIONS. IT IS THE CUSTOMER'S RESPONSIBILITIES TO SELECT THE PROPER CONTAINER FOR PRODUCT AND APPLICATION COMPATIBILITY.