
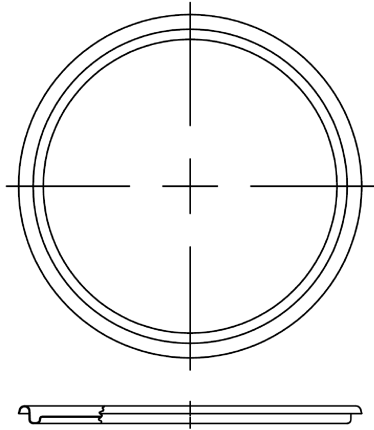


NOTE: ALL DIMENSIONS $\pm \frac{1}{8}$ "

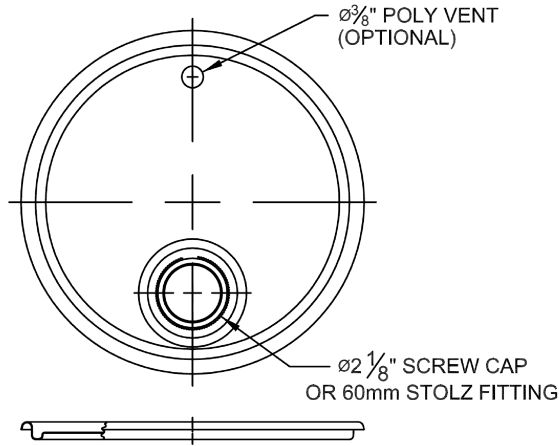
DISCLAIMER
 THIS INFORMATION IS PROVIDED AS A GENERAL GUIDE, INCLUDING DIMENSIONS. IT IS THE CUSTOMER'S RESPONSIBILITIES TO SELECT THE PROPER CONTAINER FOR PRODUCT AND APPLICATION COMPATIBILITY.

DISTRIBUTED BY:  Pipeline Packaging
 DESCRIPTION:
 Ring Seal Cover- 2.5 to 7 Gallon

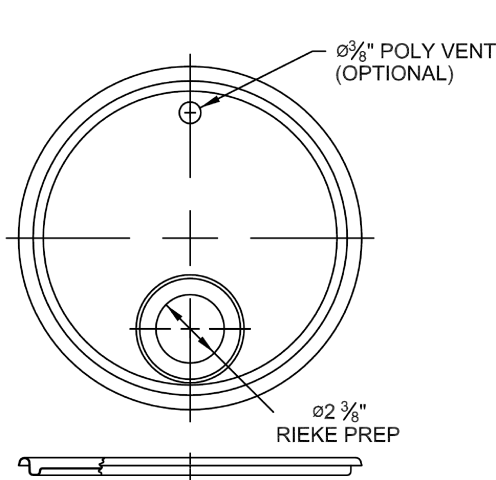
REF NO.:
 DWG10006



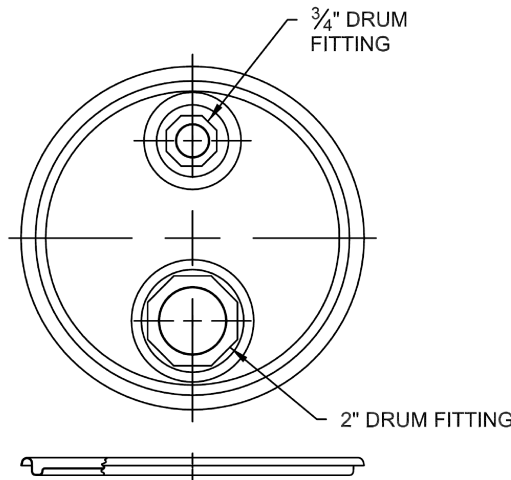
Ring Seal Cover



Screw Cap & Stolz Fitting:



Rieke Prep:




Drum Fittings:

COVER GASKETS AVAILABLE
Flow - in Gasket
G1 - EPDM Tubular Gasket
G2 - Neoprene Tubular Gasket - White
G3 - Neoprene Tubular Gasket - Black
G3Q - Neoprene Tubular Gasket
G6 - SBR Tubular Gasket - Black (small dia)

NOTES:

1. Fits all Steel pails 2.5 gallon to 7.0 gallon

*AVAILABLE IN MULTIPLE COLOR AND LINING OPTIONS

DISCLAIMER THIS INFORMATION IS PROVIDED AS A GENERAL GUIDE, INCLUDING DIMENSIONS. IT IS THE CUSTOMER'S RESPONSIBILITIES TO SELECT THE PROPER CONTAINER FOR PRODUCT AND APPLICATION COMPATIBILITY.	DISTRIBUTED BY: 	REF NO.: DWG10006
	DESCRIPTION: Ring Seal Cover- 2.5 to 7 Gallon	