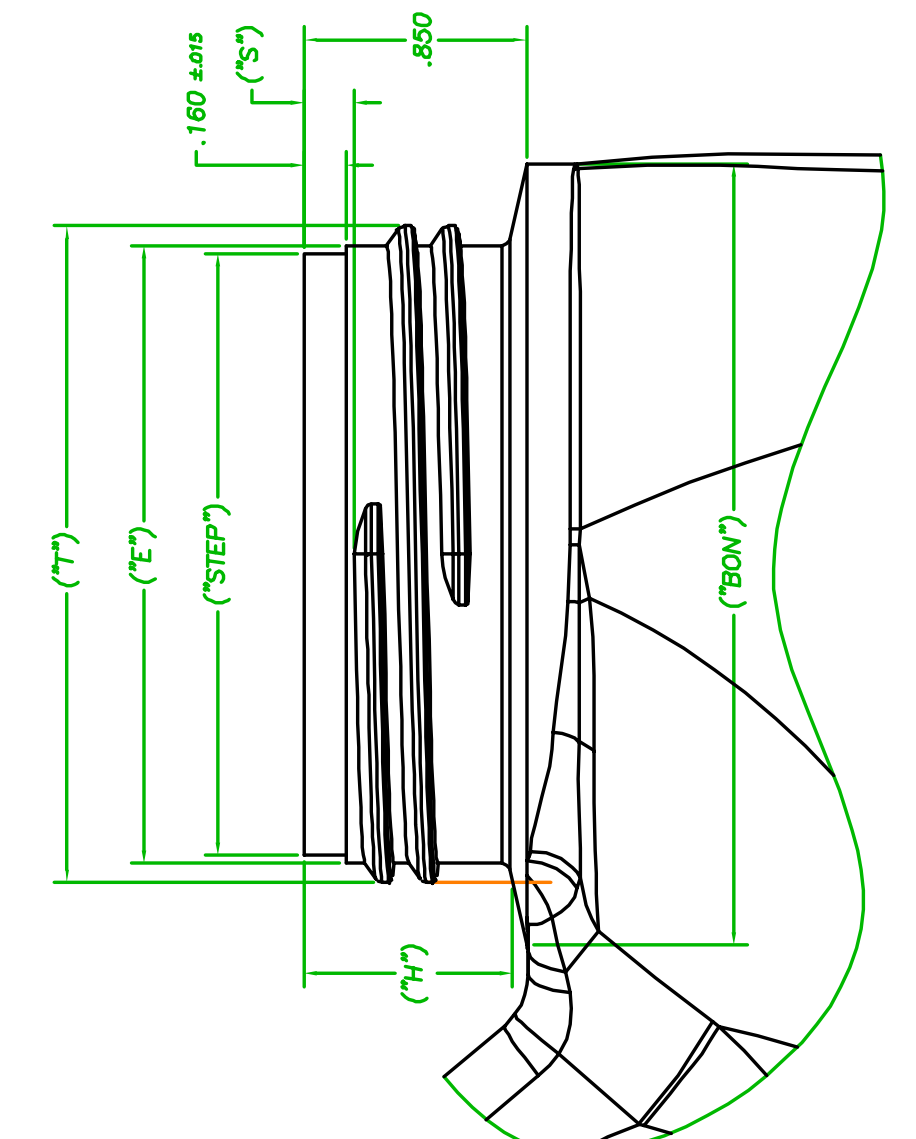
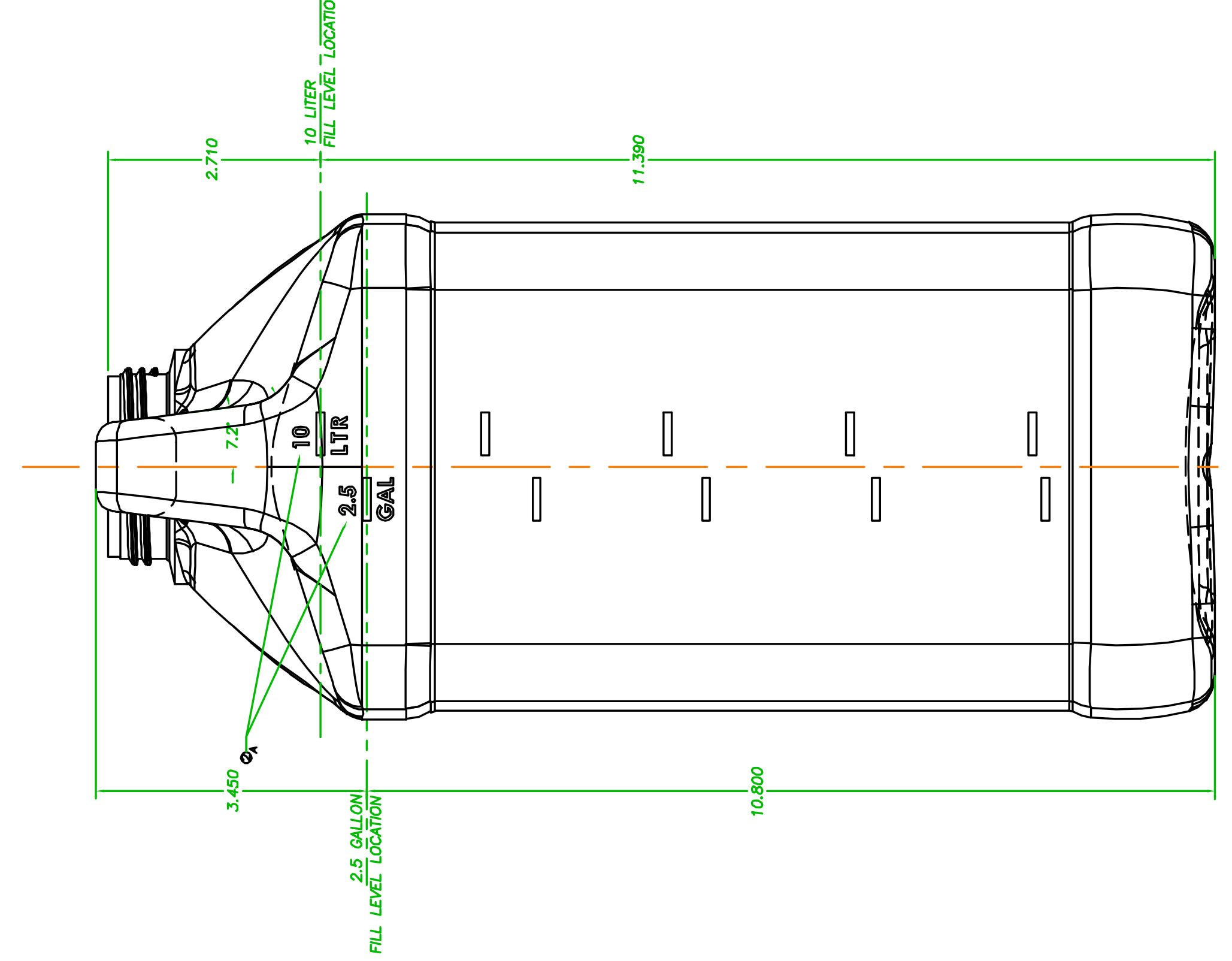
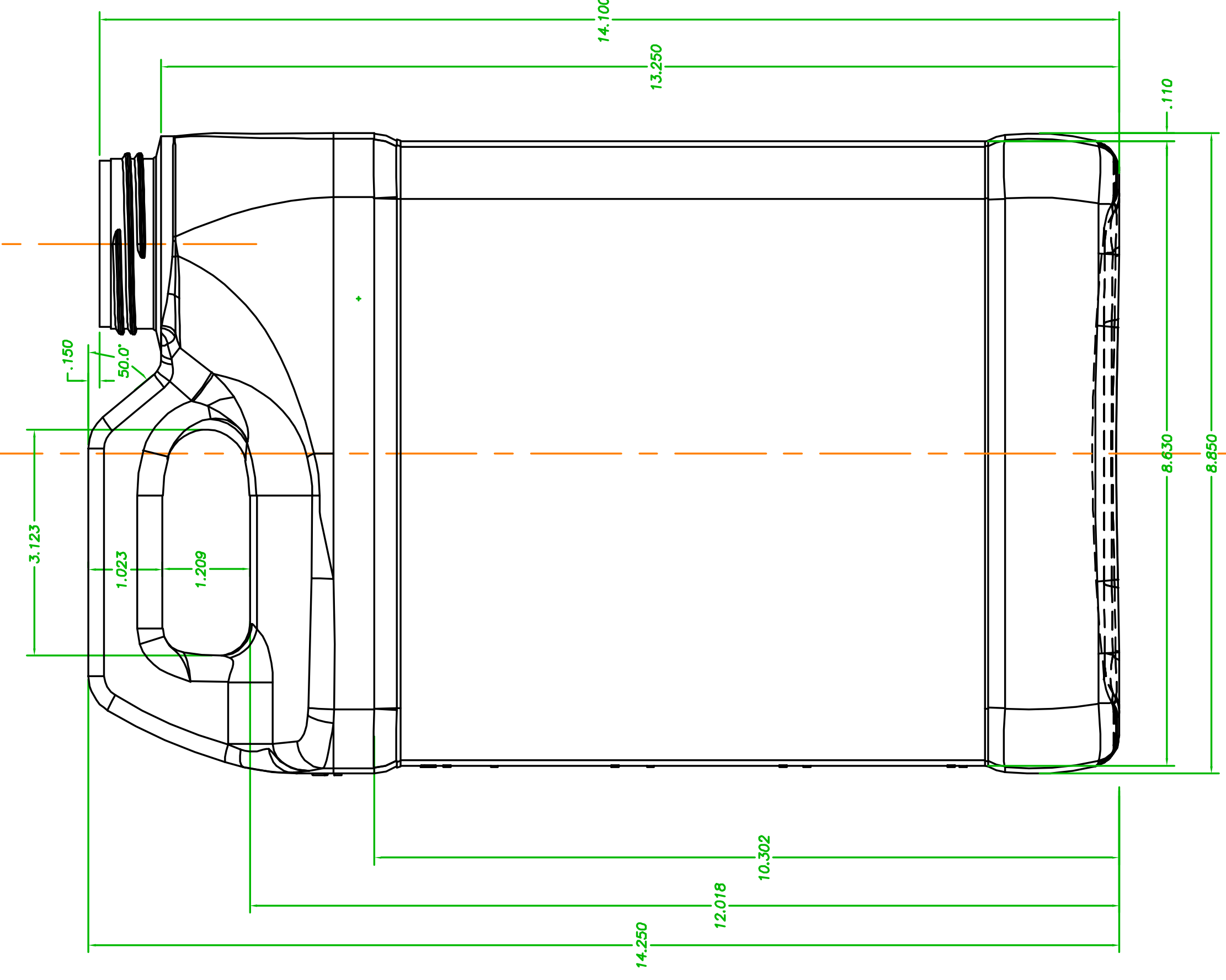
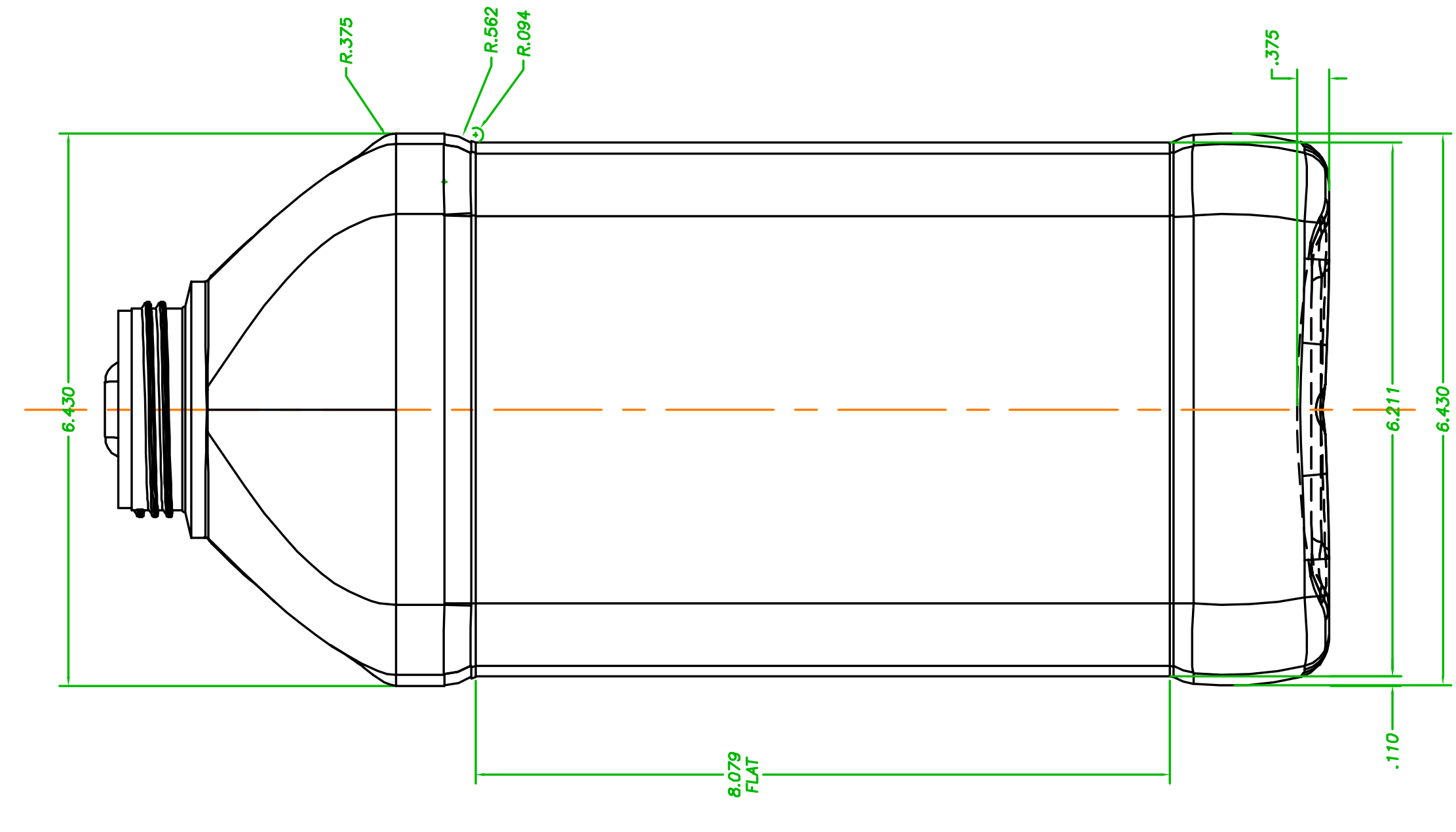


BLOWN UP VIEW FINISH
SCALE 2 : 1

OPTIONAL NECK FINISH: M38 SP400 SPECIAL		HELIX < 2' 9"		CUTTER DIA: .500	
THREAD ROTATIONS: 1.5		T.P.I.: 6		7"	
"H"	"E"	"H"	"S"	"RON"	"T"
MAXIMUM	1.476	1.362	.485	.031	2.995
MINIMUM	1.452	1.358	.455	.061	2.965
MEAN	1.464	1.370	.470	.046	2.980



BLOWN UP VIEW FINISH
SCALE 2 : 1

NECK FINISH: M63-485 FINISH		HELIX < 1' 16"	
THREAD ROTATIONS: 2.0		CUTTER DIA: .500	
"E"	"H"	"S"	"RON"
MAXIMUM	2.262	1.77	2.995
MINIMUM	2.237	.780	2.965
MEAN	2.250	.795	2.980

FILL POINT CAPACITY: 320.00 FLOZ. (2.50 GALLONS)
TITLE BULGE: 14.10 FLOZ. (.11 GALLONS)
VERFLOW CAPACITY INCLUDING BULGE: 363.16 FLOZ. (2.84 GALLONS)
GRAM WEIGHT: 340.00 GRAMS ±5.0
CONDUCT. MATERIAL: H.D.P.E.

