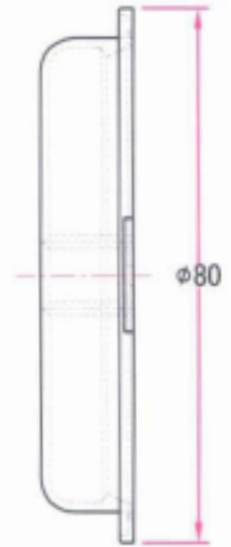
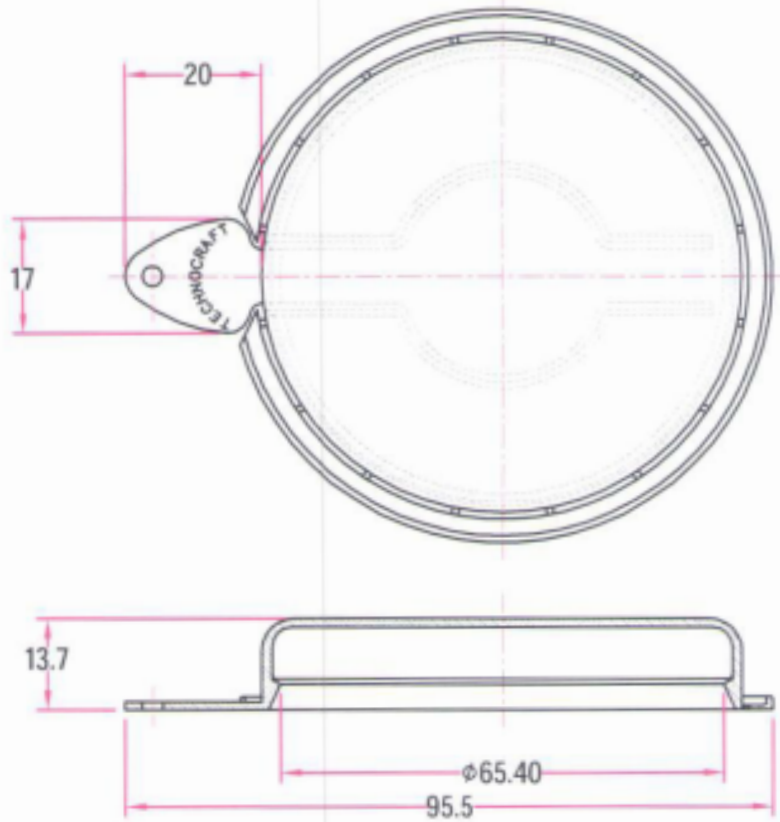


Top View 2" Seal



DISTRIBUTED BY:



REF NO.:

DWG31202

DISCLAIMER

THIS INFORMATION IS PROVIDED AS A GENERAL GUIDE, INCLUDING DIMENSIONS. IT IS THE CUSTOMER'S RESPONSIBILITIES TO SELECT THE PROPER CONTAINER FOR PRODUCT AND APPLICATION COMPATIBILITY.

DESCRIPTION:

2" White Poly Plastic Poly Snap On Tamper Evident Capseal for Steel TriSure Drums