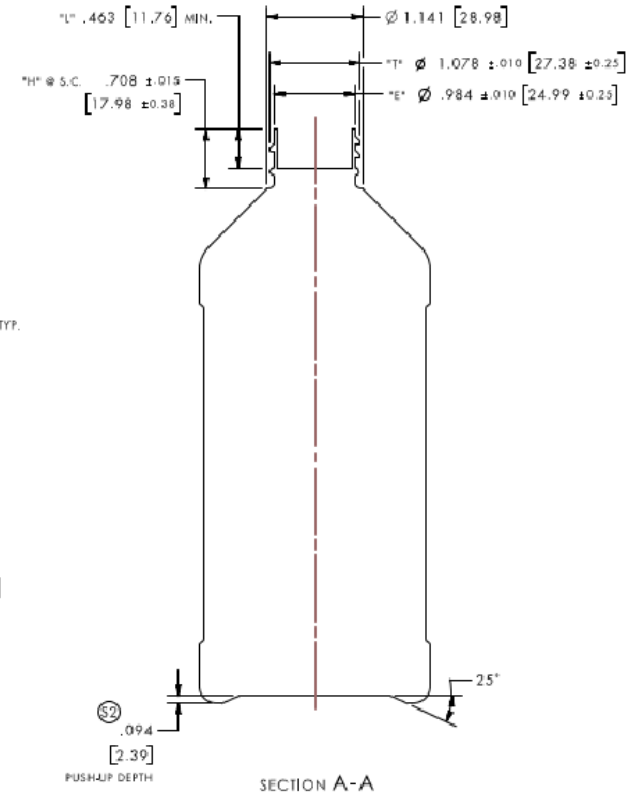
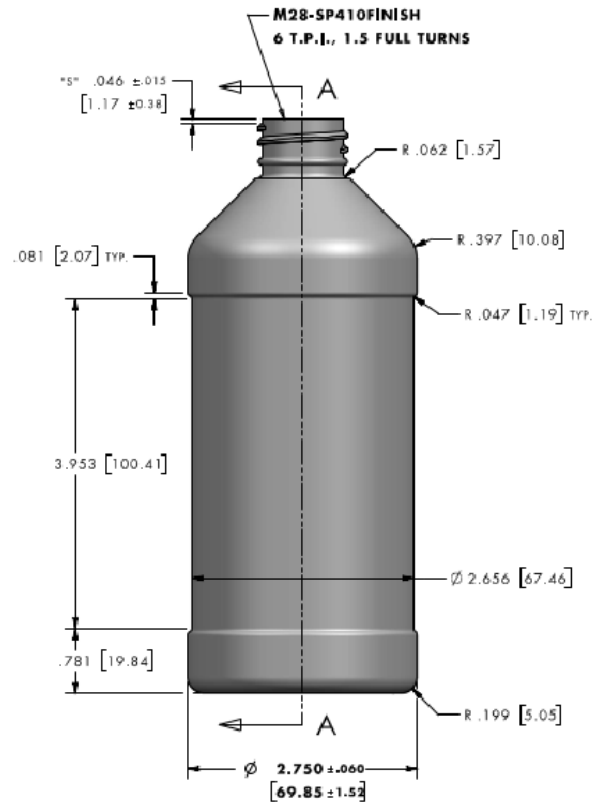
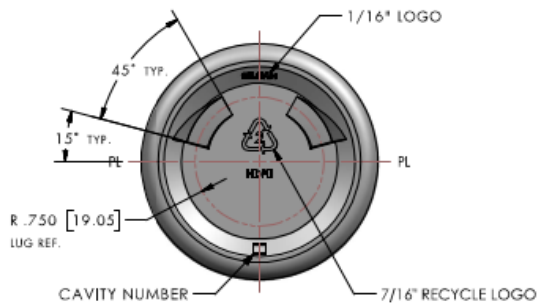
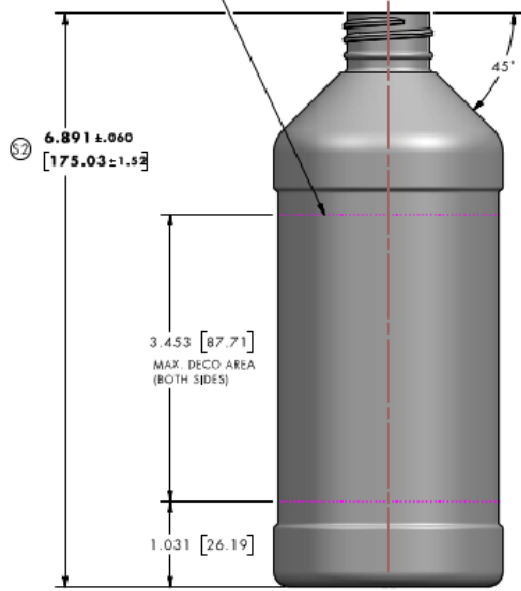


3.819 MAX. FRONT & BACK LABEL WIDTH, WITH .500 BETWEEN LABELS.



OVERFLOW CAPACITY:
<b><math>17.57 \pm .37</math> FL.OZ.</b>
<b><math>(519.5 \pm 11.0)</math> ML.)</b>
WEIGHT:
<b><math>31.0 \pm 1.2</math> GRAMS</b>

**DISCLAIMER**

THIS INFORMATION IS PROVIDED AS A GENERAL GUIDE, INCLUDING DIMENSIONS. IT IS THE CUSTOMER'S RESPONSIBILITIES TO SELECT THE PROPER CONTAINER FOR PRODUCT AND APPLICATION COMPATIBILITY.

DISTRIBUTED BY:



REF NO.:

DWG30740

DESCRIPTION:

16 oz Natural HDPE Modern Round, 28-410, 31 Gram