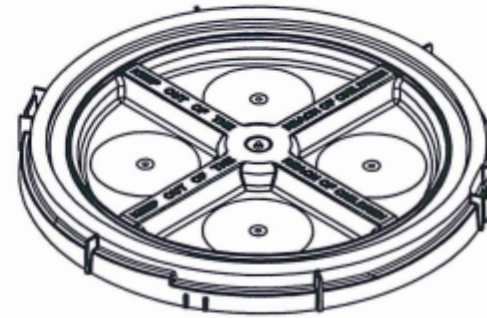
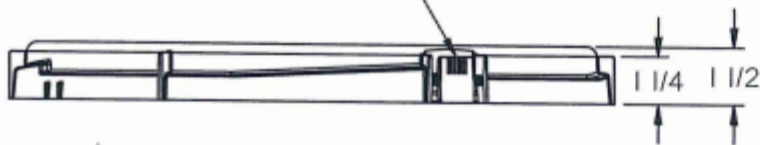


NOTES:

1. MATERIAL: HIGH DENSITY POLYETHYLENE, BLUE WHITE
2. NOMINAL WALL THICKNESS: PANEL AREA: .090", HUB: .120", SKIRT: .130"
3. WHEN MATED WITH P-10014 DRUM, PACKAGE COMPLIES WITH U.N. PACKING GROUP II REQUIREMENTS (49 CFR 178.600 THRU 178.604) AND CHILD RESISTANT / SENIOR FRIENDLY REQUIREMENTS OF 16 CFR 1700 AND 40 CFR 157.



CHILD-RESISTANT TAB (2)



**DISCLAIMER**

THIS INFORMATION IS PROVIDED AS A GENERAL GUIDE, INCLUDING DIMENSIONS. IT IS THE CUSTOMER'S RESPONSIBILITIES TO SELECT THE PROPER CONTAINER FOR PRODUCT AND APPLICATION COMPATIBILITY.

DISTRIBUTED BY:



REF NO.:

DWG30253

DESCRIPTION:

100 lb Blue-White HDPE Cover