

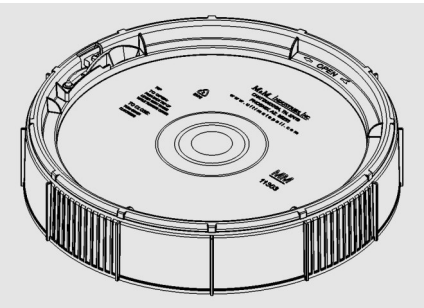
Product Data

Life Latch® New Generation
1.25 Gallon

UN Certification:  1H2/Y6/S

Cover Specification

Origin of Materials	100% US Manufactured
Material	High Density Polyethylene (HDPE)
Weight	0.321 lbs. / 148 g
Height	1 3/4"
Min Wall Thickness	0.050"
Bottom Outside Diameter	8 7/8"
Gasket	EPDM Tubular
Fitments	<i>Please inquire about custom fittings</i>
Standard Color	White <i>Please inquire about custom colors</i>
Shipping Quantity	90 per case / 720 per pallet



DISCLAIMER

THIS INFORMATION IS PROVIDED AS A GENERAL GUIDE, INCLUDING DIMENSIONS. IT IS THE CUSTOMER'S RESPONSIBILITIES TO SELECT THE PROPER CONTAINER FOR PRODUCT AND APPLICATION COMPATIBILITY.

DISTRIBUTED BY:



REF NO.:

DWG31323

DESCRIPTION:

1.25 Gallon HDPE Plastic Life Latch Screw Top Pail Cover, w/ Gasket: