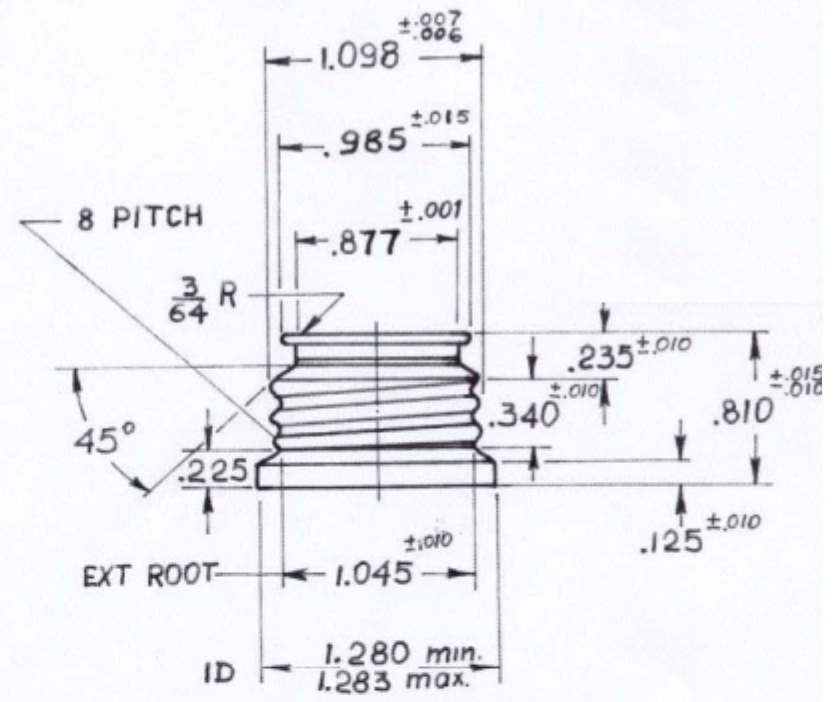
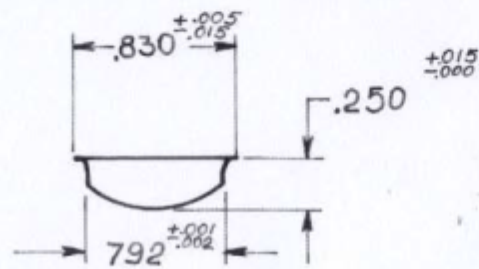


BETA NOZZLE
C.E.=2.265

BETA CAP
C.E.=2.118



877 BETA NOZZLE
C.E.=2.265



BETA SEAL

DISCLAIMER

THIS INFORMATION IS PROVIDED AS A GENERAL GUIDE, INCLUDING DIMENSIONS. IT IS THE CUSTOMER'S RESPONSIBILITIES TO SELECT THE PROPER CONTAINER FOR PRODUCT AND APPLICATION COMPATIBILITY.

DISTRIBUTED BY:



REF NO.:

DWG 31310

DESCRIPTION:

1 1/8" Metal Beta Inner Seal for Cone Tops Cans Only